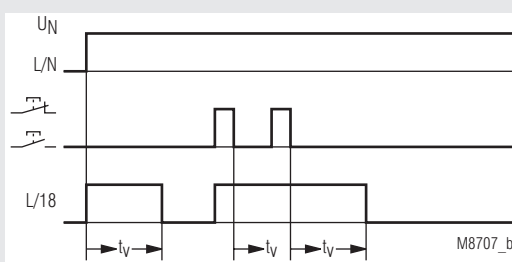


MINITIMER Staircase Lighting Time Switch RK 8810/100



- According to EN 60 669-1, EN 60 669-2-1
- Setting range 0.5 ... 10 min.
- For 4-wire circuit L on push button and 3-wire circuit N on push button
- Can be retriggered
- Switch for continuous light on unit
- Contact: 16 A
- Width 17.5 mm

Function Diagram



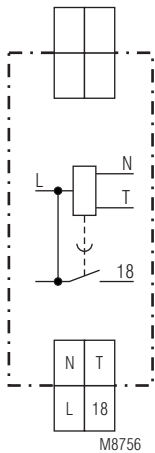
Approvals and Markings



Application

- Staircase lighting time switch
- Timer, release delay
- Follow-up switch

Circuit Diagram



Function

The timing is retriggerable, i.e. if the push button is pressed again during timing the adjusted delay time starts again without interruption.

Notes

Unit and push button have to be connected to the same phase (see connection diagram) The output contact is not volt free. When voltage is connected to I/N the output contact is closed for the time adjusted on the unit. (single timing)

Maintenance

Inspection test and maintenance intervals are to be performed annually.

Technical Data

Time Circuit

- Time range:** 0.5 ... 10 min
- Repeat accuracy:** < 1 % of setting value

Input

- Nominal voltage U_N :** AC 230 V
- Voltage range:** 0.9 ... 1,1 U_N
- Nominal consumption:** approx. 5 VA
- Nominal frequency:** 50 / 60 Hz
- Permitted residual current caused by glow lamps in the push buttons:** max. 50 glow lamps à 1 mA
- Min. pulse duration:** 30 ms

Connection Terminals

Terminal designation	Signal designation
L, N	Auxiliary voltage AC
T, L or N	Button
L, 18	Contact output

M8756
RK 8810.41/100

Technical Data

Output

Contacts:	1 NO contact, delay, not floating	
Contact opening gap:	< 3 mm	
Min. contact load:	10 V / 300 mA	
Thermal current I_{th}:	16 A	
Switching capacity with lamp load		
Fluorescent lamp load		
Duo switching:		
(series compensated)	20 lamps with 58 W each	
	5 x 10 ⁴ switching cycles	
Glow lamp load:	1200 W	
Short circuit strength max. fuse rating:	16 AgL	IEC/EN 60 947-5-1
Mechanical life:	> 1 x 10 ⁶ switching cycles	

General Data

Nominal operating mode:	impulse operation	
Temperature range		
Operation:	- 20 ... + 50°C	
Storage:	- 40 ... + 70°C	
Clearance and creepage distances		
rated impulse voltage / pollution degree:	4 kV / 2	IEC 60 664-1
EMC		
Electrostatic discharge (ESD):	8 kV (air)	IEC/EN 61 000-4-2
HF irradiation		
80 MHz ... 1 GHz:	10 V / m	IEC/EN 61 000-4-3
1 GHz ... 2.7 GHz:	10 V / m	IEC/EN 61 000-4-3
Fast transients:	2 kV	IEC/EN 61 000-4-4
Surge voltages		
between		
wires for power supply:	1 kV	IEC/EN 61 000-4-5
between wire and ground:	2 kV	IEC/EN 61 000-4-5
HF wire guided		
0.15 ... 80 MHz:	10 V	IEC/EN 61 000-4-6
Interference suppression:	Limit value class B	EN 55 011
Degree of protection:		
Housing:	IP 40	IEC/EN 60 529
Terminals:	IP 20	IEC/EN 60 529
Enclosure:	Thermoplast with V0-behaviour according to UL subj. 94	
Vibration resistance	Amplitude 0,35 mm	
	frequency 10 ... 55 Hz	IEC/EN 60 068-2-6
Climate resistance:	20 / 050 / 04	
Terminal designation:	EN 50 005	
Wire connection:	DIN 46 228-1/-2/-3/-4	
Fixed screw terminals		
Cross section:	0.5 ... 10 mm ² (AWG 20 - 8) solid or 0.5 ... 6 mm ² (AWG 20 - 10) stranded wire with and without ferrules	
Stripping length:	10 mm	
Fixing torque:	0.8 Nm	EN 60 999-1
Wire fixing:	Cross-head screw / M3.5 box terminals	
Mounting:	DIN rail	
Weight:	approx. 80 g	

Dimensions

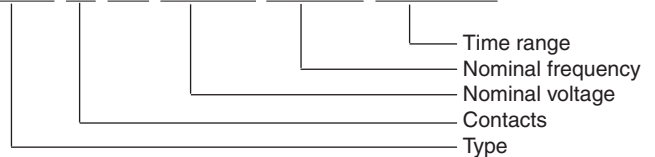
Width x Height x Depth: 17.5 x 90 x 66 mm

Standard Type

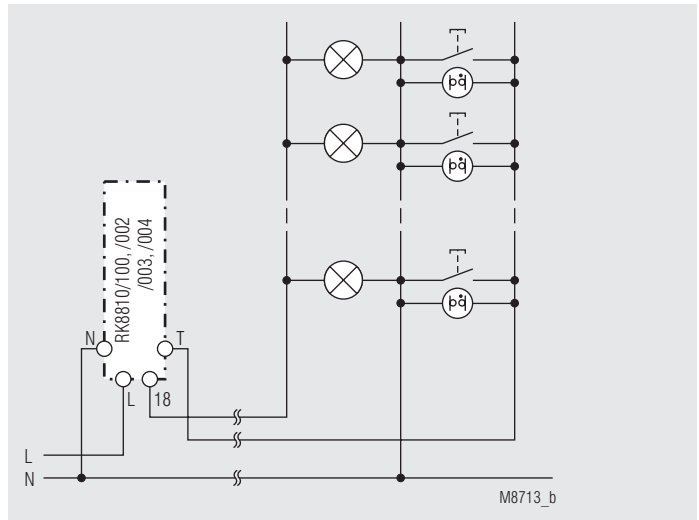
RK 8810.41/100	AC 230 V	50 / 60 Hz	0.5 ... 10 min
Article number:	0058997		
• Output:	1 NO contact, delay		
• Nominal voltage U_N :	AC 230 V		
• Timer range:	0.5 ... 10 min		
• Width:	17.5 mm		

Ordering Example

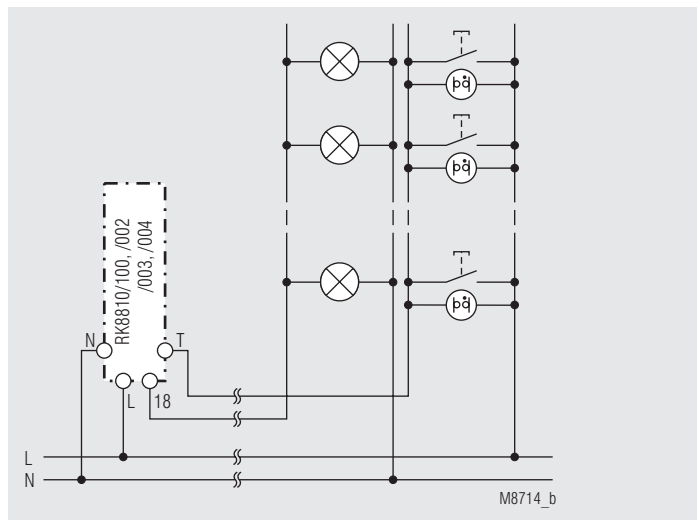
RK 8810 .41 /100 AC 230 V 50 / 60 Hz 0.5 ... 10 min



Application Examples



3-wire circuit N on push button



4-wire circuit L on push button