

Block Diagram

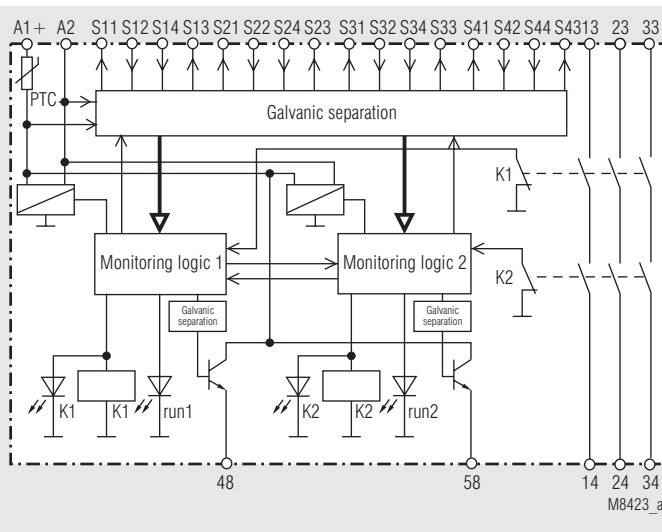


Table of Contents

Content	page
Features, Indication, Notes.....	1
Setting table.....	2
Operating modes, Manual and Auto start.....	3
Functions:	
E-stop	4
Light curtains	6
Light curtains + E-stop	7
Gate monitor.....	9
Gate monitor + E-stop	12
2-Hand-Safety	14
2-Hand-Safety + E-stop.....	16
Circuit diagrams, Technical data.....	18
Standard type, Example of order,	
Flash codes for fault indication	20

- According to
 - Performance Level (PL) e and category 4 to EN ISO 13849-1: 2008
 - SIL Claimed Level (SIL CL) 3 to IEC/EN 62061
 - Safety Integrity Level (SIL 3) to IEC/EN 61508
 - Category 4 to EN 954-1
- Functions selectable via rotational switches to connect max.:
 - 8 E-stop circuits, single channel or
 - 4 E-stop circuits, 2-channel or
 - 4 light curtains or
 - 2 light curtains and 1 E-stop circuit or
 - 4 safety gates or
 - 2 safety gates and 1 E-stop circuit or
 - 4 pairs of 2-hand-buttons or Typ III A according to DIN EN 547 or
 - 2 pairs of 2-hand-buttons Typ III C according to DIN EN 547 and 1 E-stop circuit
- In addition selectable:
 - auto or manual reset (simulation input for gate monitor)
 - continuously monitored feedback circuit to monitor external contactors
- Cross fault detection
- Short circuit and broken wire detection
- Outputs:
 - 3 NO or 2 NO and 1 NC contacts
 - 2 semiconductor outputs short circuit proof and overload protected
- Under- and overvoltage detection and signalling
- LED indication for operation (RUN), channel 1/2
- 45 mm width

Approvals and Marking



* see variants

Applications

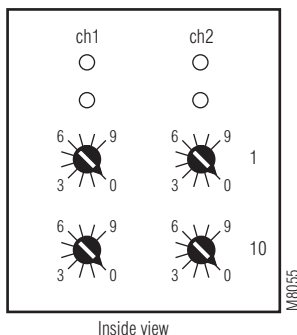
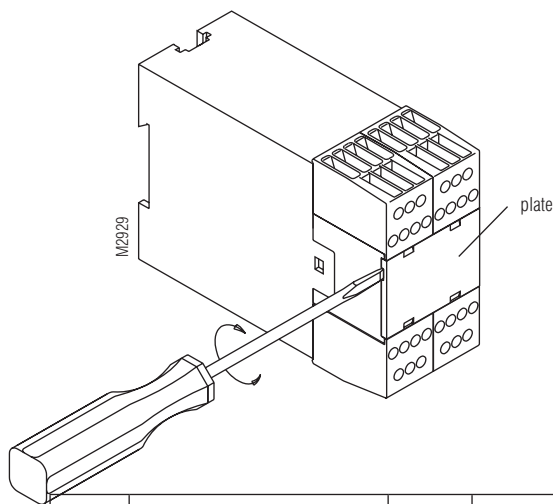
- Protection of men and machines

Indication

lower green LEDs K1, K2:	On, when relays K1 and K2 are energized
upper yellow LEDs run 1, run 2:	Continuously on on fault free operation. Regular flashing when waiting for external action e.g. release of an E-stop button. Detected faults are indicated with special flashing sequences (see flash codes for fault indication)
Terminal 48:	Flashes, as long as starting condition is not fulfilled.
Terminal 58:	Flashes while waiting for start or simulation input (button). Continuous signal when relay enabled.

Notes

- On BH 5910.22 the NC contact 31 - 32 can only be used as monitoring contact.
- Changes of settings are only permitted when supply voltage is disconnected and have to be made by trained persons only.
- Before removing the front cover please touch ground potential.



The selection of the function of BH 5910 is done via 4 rotational switches behind the front cover of the unit (see drawing on the left). The 2 switches on the left set processor 1 (ch 1) and the 2 switches on the right set processor 2 (ch 2). Both processors must have the same setting. On both upper switches (1) the function is selected, on both lower switches (10) the number of sensor circuits, control and operation mode and the feed back circuit option is selected.

Switch 1	Function	Switch 1	No / Sensors	Control mode	Operation mode	Feedback circuit for external contacts
0	E-stop	0	4	2 channel	Auto-Start	no
		1	3	2 channel	Manual start	no
		2	8	1 channel	Auto-Start	no
		3	6 E-stop button	1 channel	Manual startt	no
		4	3	2 channel	Auto-Start	yes
		5	3	2 channel	Manual startt	yes
		6	6	1 channel	Auto-Start	yes
1	Light curtains (LC)	0	4	2 channel	Auto-Start	no
		1	3 Light curtains	2 channel	Manual startt	no
		2	3	2 channel	Auto-Start	yes
		3	3	2 channel	Manual start	yes
2	Light curtains + E-stop (1 E-stop button, 2-channel, manual start)	0	2	2 channel	Auto-Start	no
		1	2 Light curtains	2 channel	Manual start	no
		2	2	2 channel	Auto-Start	yes
		3	2	2 channel	Manual start	yes
3	Gate monitor	0	4	2 NO contacts	without simulation button	no
		1	3	2 NO contacts	with simulation button	no
		2	2	2 C/O contacts	without simulation button	no
		3	1	2 C/O contacts	with simulation button	no
		4	2 Gate switches	3 NO contacts	with simulation button	no
		5	1	2 C/O contacts, 1 NO	with simulation button	no
		6	3	2 NO contacts	with simulation button	yes
		7	1	2 C/O contacts	with simulation button	yes
		8	2	3 NO contacts	with simulation button	yes
9	1	2 C/O contacts, 1 NO	with simulation button	yes		
4	Gate monitor + E-stop (1 E-stop button, 2-channel, manual start)	0	2	2 NO contacts	with simulation button	no
		1	1	2 C/O contacts	with simulation button	no
		2	1 Gate switches	3 NO contacts	with simulation button	no
		3	2	2 NO contacts	with simulation button	yes
		4	1	2 C/O contacts	with simulation button	yes
5	2-hand safety	0	1	2 NO contacts		no
		1	2	2 NO contacts		no
		2	3	2 NO contacts		no
		3	4	2 NO contacts		no
		4	1 button pairs	2 NO contacts		no
		5	2	2 C/O contacts		no
		6	1	2 NO contacts		yes
		7	2	2 NO contacts		yes
		8	3	2 NO contacts		yes
9	1	2 C/O contacts		yes		
6	2-hand safety + E-stop (1 E-stop button, 2-channel, manual start)	0	1	2 NO contacts		no
		1	2	2 NO contacts		no
		2	1 button pairs	2 C/O contacts		no
		3	1	2 NO contacts		yes
		4	2	2 NO contacts		yes
5	1	2 C/O contacts		yes		
7	not permitted					
8	not permitted					

Operating Mode

- Auto start**
 (with function E-stop and light curtain)
 On automatic restart the output contacts are activated when the input condition for the selected function is fulfilled.
 A start-button is only necessary in 2 cases:
 - If the function light curtain, safety gate or 2-hand-safety is combined with E-stop.
 - If a function with feedback circuit is selected and the unit has to be reset after a detected fault without disconnection.
- Manual start**
 (with function E-stop and light curtain)
 If the unit was deactivated by operating the safety function e.g. by pressing an e-stop button it only can be reset in manual mode by pressing the start button. After voltage failure the unit has to be reset also with the start button. The button has to be pressed not longer then 3 sec. to allow the unit to energise.

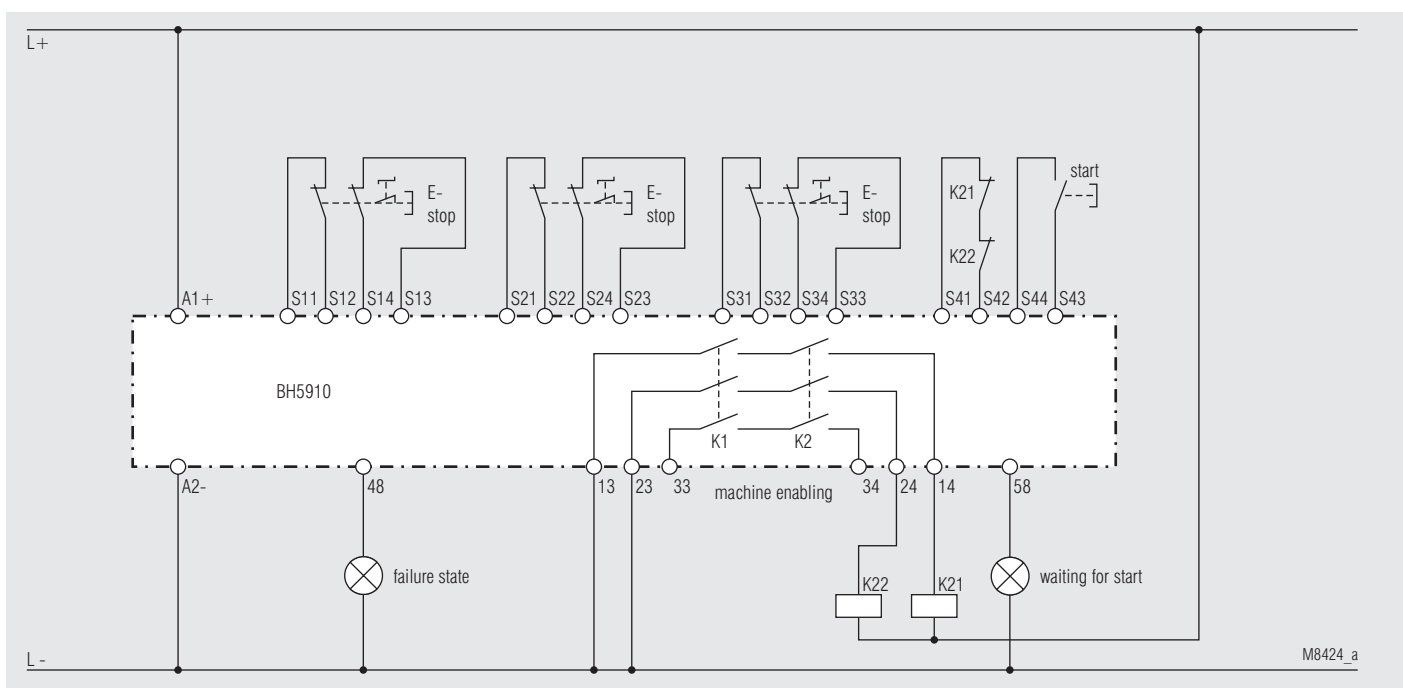
If one of the functions light curtain, safety gate or 2-hand-safety is combined with E-stop the E-stop function always works with manual restart.

When manual start is selected, the start button is always connected to terminals S43-S44.

Feedback Circuit to Monitor External Contactors

If the number of contacts has to be increased or a higher current has to be switched by contactors a feedback circuit with NC contactors can be connected to terminals S41-S42 (see drawing 1). This circuit allows to monitor the state of the external contactors. The BH 5910 monitors continuously if the state of this input corresponds to the state of K1 and K2. In the case of a fault K1 and K2 switch off or do not switch on at all. If the fault is removed, the BH 5910 has to be reset with the start button.

When operating the unit with feedback circuit the circuit has to be connected to terminal S41 and S42.



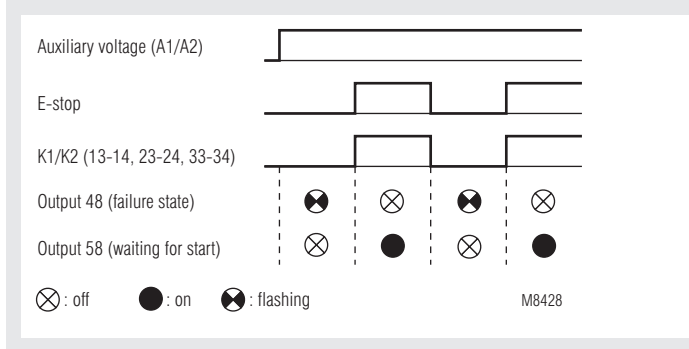
Pic. 1: E-stop, 2-channel, with 3 E-stop buttons, manual start and 2 external contactors with feed back circuits (Switch 1: position 0, switch 10: position 4 or 5)

E-Stop (switch 1 in position 0)

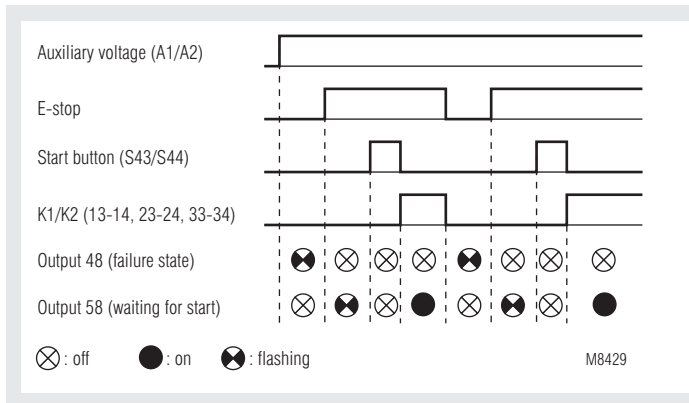
With switch 10 the maximum number of e-stop loops is selected. Open (unused) inputs (S_1/S_2 and S_3/S_4) have to be linked with a wire bridge. K1 and K2 can only be activated, if all e-stop buttons are released. The function diagrams show only the action of one e-stop button. We pretend that the others are closed.

When the unit is used with 2-channel e-stop loops, it checks the state of the inputs. If both channels have different signals for more then 50 ms the outputs K1 and K2 are switched off and the unit gives failure code 7. This failure is stored and can only be reset by disconnecting the auxiliary supply.

Function Diagrams



E-stop, 2-channel, auto start



E-stop, 2-channel, manual start

Settings on switch 10

Switch10	Number of E-stop loops	Type of control	Type of start	Feedback circuit for external contactors
0	4	2 channel	Auto-Start	no
1	3	2 channel	Manual start	no
2	8	1 channel	Auto-Start	no
3	6	1 channel	Manual start	no
4	3	2 channel	Auto-Start	yes
5	3	2 channel	Manual start	yes
6	6	1 channel	Auto-Start	yes
7	6	1 channel	Manual start	yes
8	position not allowed (failure code 5)			
9	position not allowed (failure code 5)			

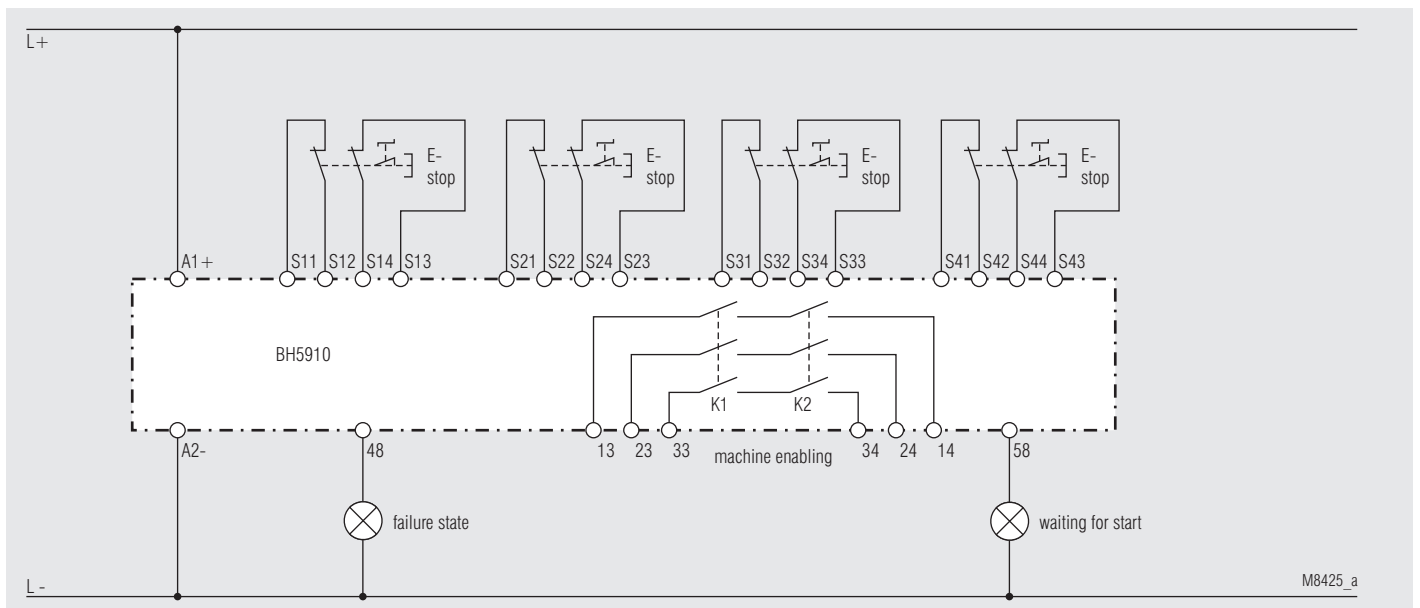
Terminal designation

Terminal	E-stop loop, 1 channel	E-stop loop, 2 channel	Feedback circuit and/or manual start
S11	E-stop 1	E-stop 1	
S12			
S13	E-stop 2		
S14			
S21	E-stop 3	E-stop 2	
S22			
S23	E-stop 4		
S24			
S31	E-stop 5	E-stop 3	
S32			
S33	E-stop 5		
S34			
S41	E-stop 7	E-stop 4	Feedback circuit or no connection
S42			
S43	E-stop 8		Start button
S44			

Semiconductor outputs

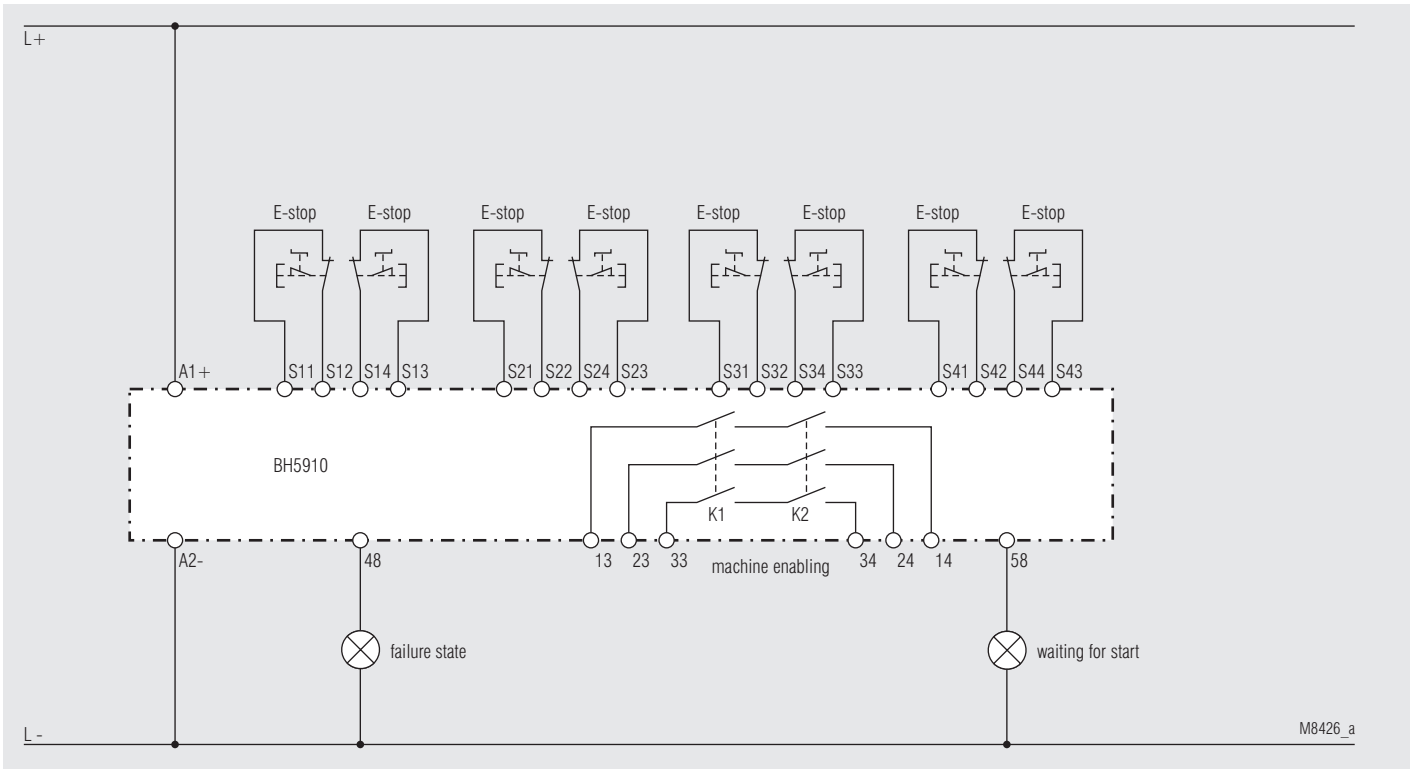
Output	Flashing signal	Continuous signal
48	E-stop active or failure in feedback circuit or failure on start button	
58	Wait for start button	Relay K1, K2 active

Application Example

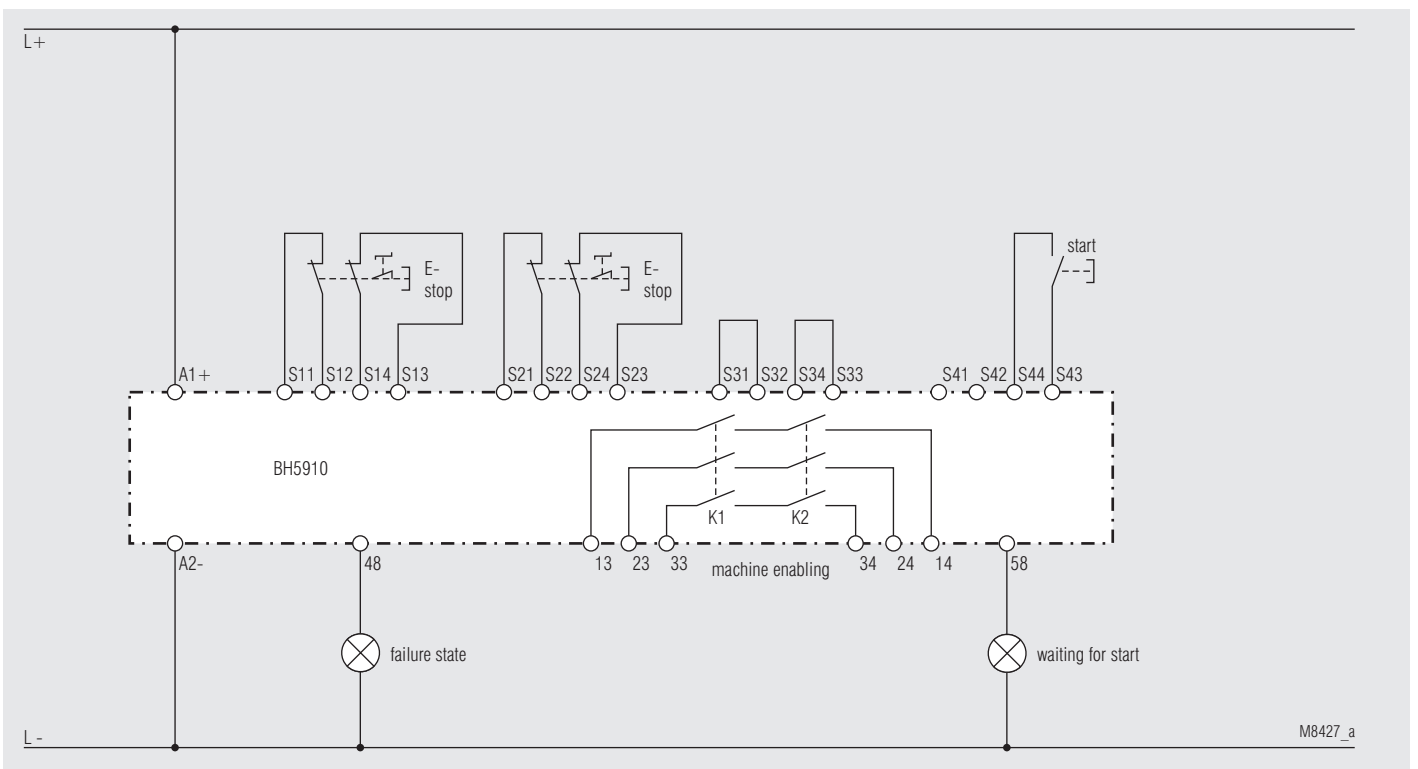


Pic. 2: E-stop, 2-channel, with 4 e-stop loops, auto start (switch 1 in position 0, switch 10 in position 0)

E-Stop, Application Examples



Pic. 3: E-stop, 1-channel, with 8 e-stop loops, auto start; (switch 1 in position 0, switch 10 in position 2)



Pic. 4: E-stop, 2-channel, with 2 e-stop loops, manual start; (switch 1 in position 0; switch 10 in position 1)

Light Curtains (switch 1 in position 1)

With switch 10 the maximum number of LCs (Light curtains) is selected. Open (unused) inputs (S_1/S_2 and S_3/S_4) have to be linked with a wire bridge.

K1 and K2 can only be activated, if no LC is interrupted.

If both channels of an LC have different signals for more than 50 ms the outputs K1 and K2 are switched off and the unit gives failure code 7. This failure is stored and can only be reset by disconnecting the auxiliary supply. The BH 5910 can be used on LCs of type 4 (IEC/EN 61 496-1) or type 2 with self test and crossfault monitoring.

The following function diagrams show the function of one LC. We pretend that other connected LCs are not interrupted.

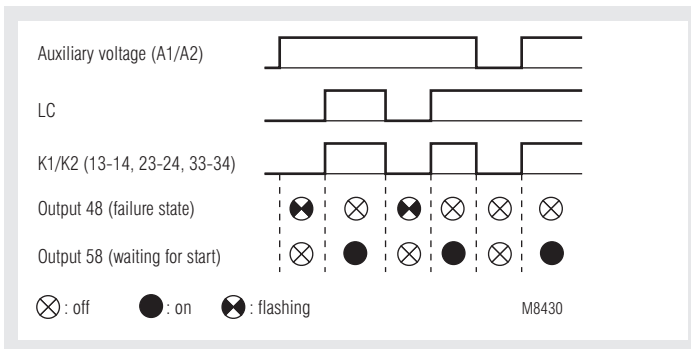
Settings on switch 10

Switch 10	No. of LCs	Type of control	Type of start	Feedback circuit for external contactors
0	4	2-channel light curtains	Auto-Start	no
1	3	2-channel light curtains	Manual start	no
2	3	2-channel light curtains	Auto-Start	yes
3	3	2-channel light curtains	Manual start	yes
4-9	position not allowed (failure 5)			

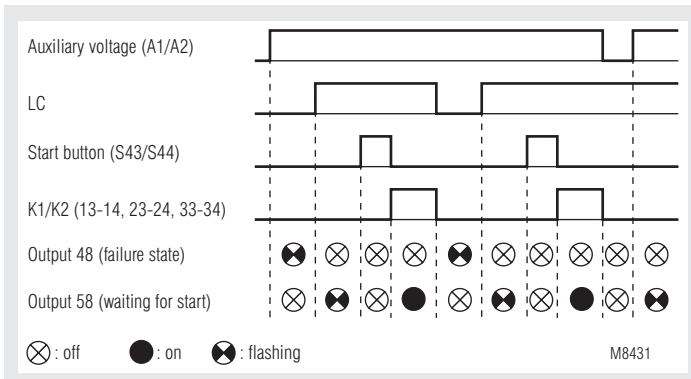
Terminal designation

Terminal	Light curtains		Feedback circuit and/or manual start
S11	not connected	link S11-S12 without LC1	
S12	LC 1		
S13	not connected	link S13-S14 without LC 1	
S14	LC 1		
S21	not connected	link S21-S22 without LC 2	
S22	LC 2		
S23	not connected	link S23-S24 without LC 2	
S24	LC 2		
S31	not connected	link S31-S32 without LC 3	
S32	LC 3		
S33	not connected	link S33-S34 without LC 3	
S34	LC 3		
S41	not connected	link S41-S42 without LC 4	Feedback circuit or no connection
S42	LC 4		
S43	not connected	link S43-S44 without LC 4	Start button
S44	LC 4		

Function Diagrams



Light curtains, auto start

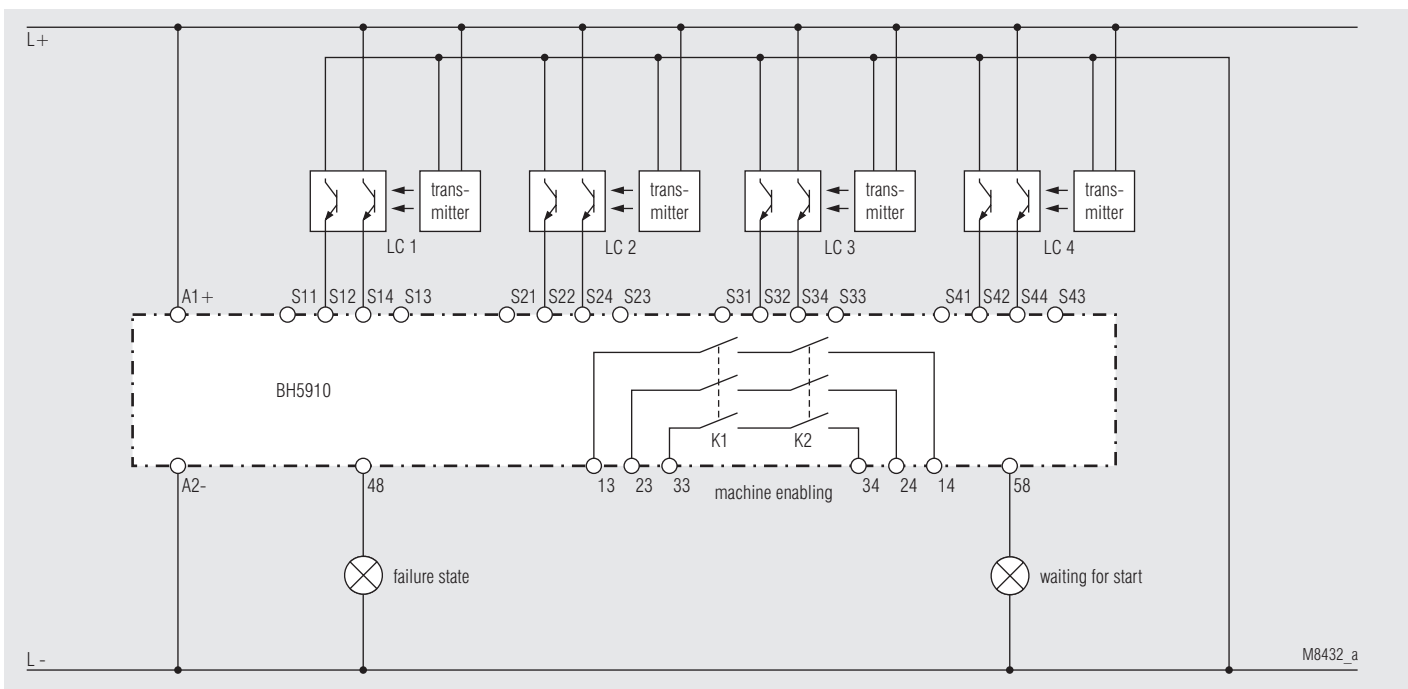


Light curtains, manual start

Sorties à semi-conducteurs

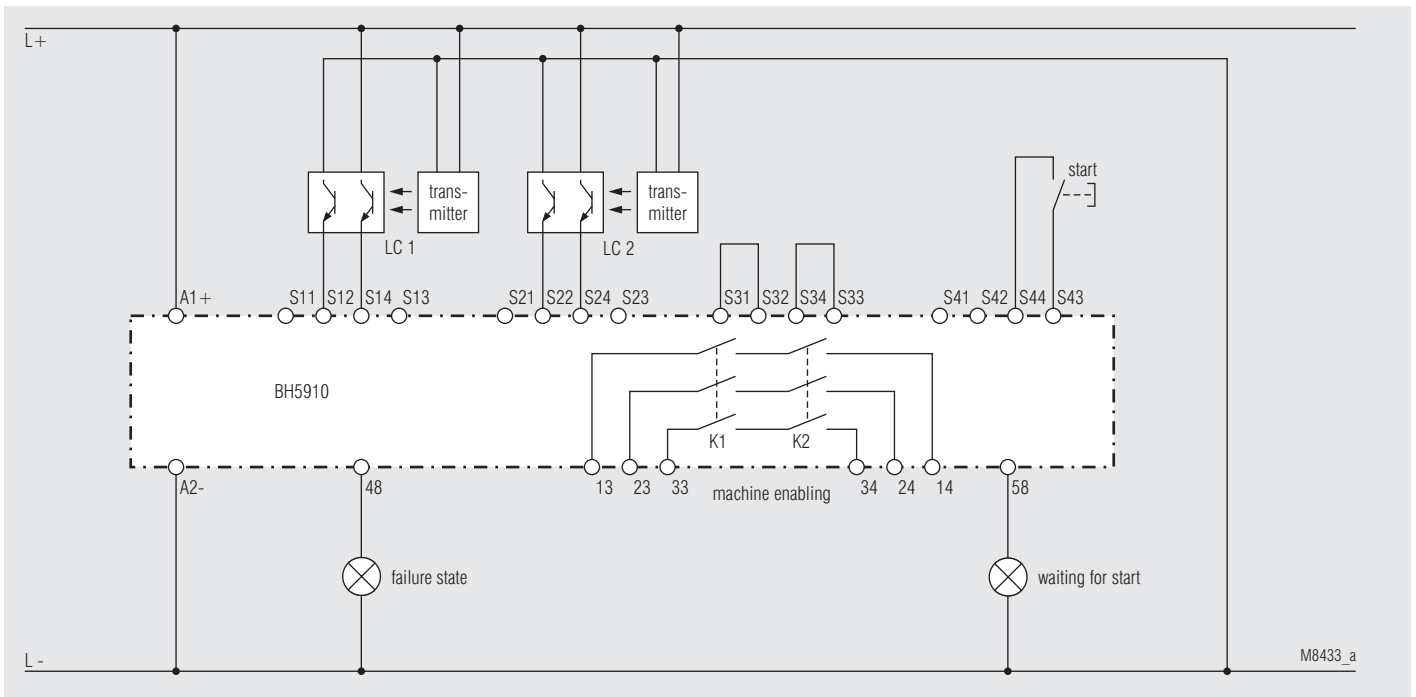
Output	Flashing signal	Continuous signal
48	One LC interrupted or failure in feedback circuit or in start circuit	
58	Wait for start button	Relay K1, K2 active

Application Example



Pic. 5: Light curtains, with 4 LCs, auto start; (switch 1 in position 1, switch 10 in position 0)

Light Curtains (switch 1 in position 1); Application Example



Pic. 6: Light curtains, with 2 LCs, manual start; (switch 1 in position 1, switch 10 in position 1)

Light Curtains and E-Stop (switch 1 in position 2)

In this function the unit is always set to 2 LCs and 1 e-stop loop. Open (unused) inputs (S21/S22 and S23/S24) have to be linked with a wire bridge. K1 and K2 can only be activated, if no LC is interrupted and the e-stop loop is closed.

After an e-stop or power failure the unit has to be reset with manual start. If both channels of an LC or e-stop loop have different signals for more than 50 ms the outputs K1 and K2 are switched off and the unit gives failure code 7. This failure is stored and can only be reset by disconnecting the auxiliary supply.

Settings on switch 10

Switch 10	No. of LCs	Type of control	Type of start	Feedback circuit for external contactors
0	4	2-channel light curtains	Auto-Start	no
1	3	2-channel light curtains	Manual start	no
2	3	2-channel light curtains	Auto-Start	yes
3	3	2-channel light curtains	Manual start	yes
4-9	position not allowed (failure 5)			

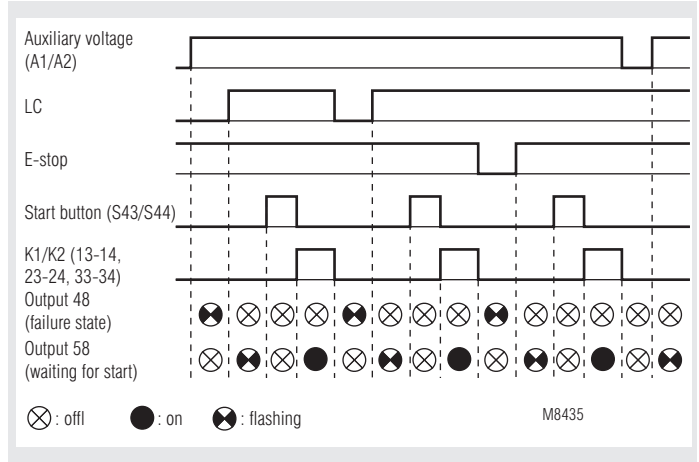
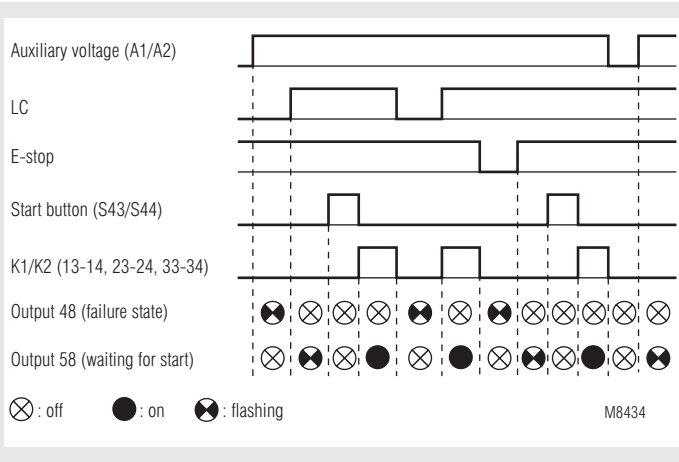
Terminal designation

Terminal	Light curtains / E-stop		Feedback circuit for external contactors
S11	not connected	link S11-S12 without LC1	
S12	LC 1		
S13	not connected	link S13-S14 without LC 1	
S14	LC 1		
S21	not connected	link S21-S22 without LC 2	
S22	LC 2		
S23	not connected	link S21-S22 without LC 2	
S24	LC 2		
S31	E-stop		
S32			
S33			
S34			
S41			Feedback circuit
S42			
S43	Start button		
S44			

Semiconductor outputs

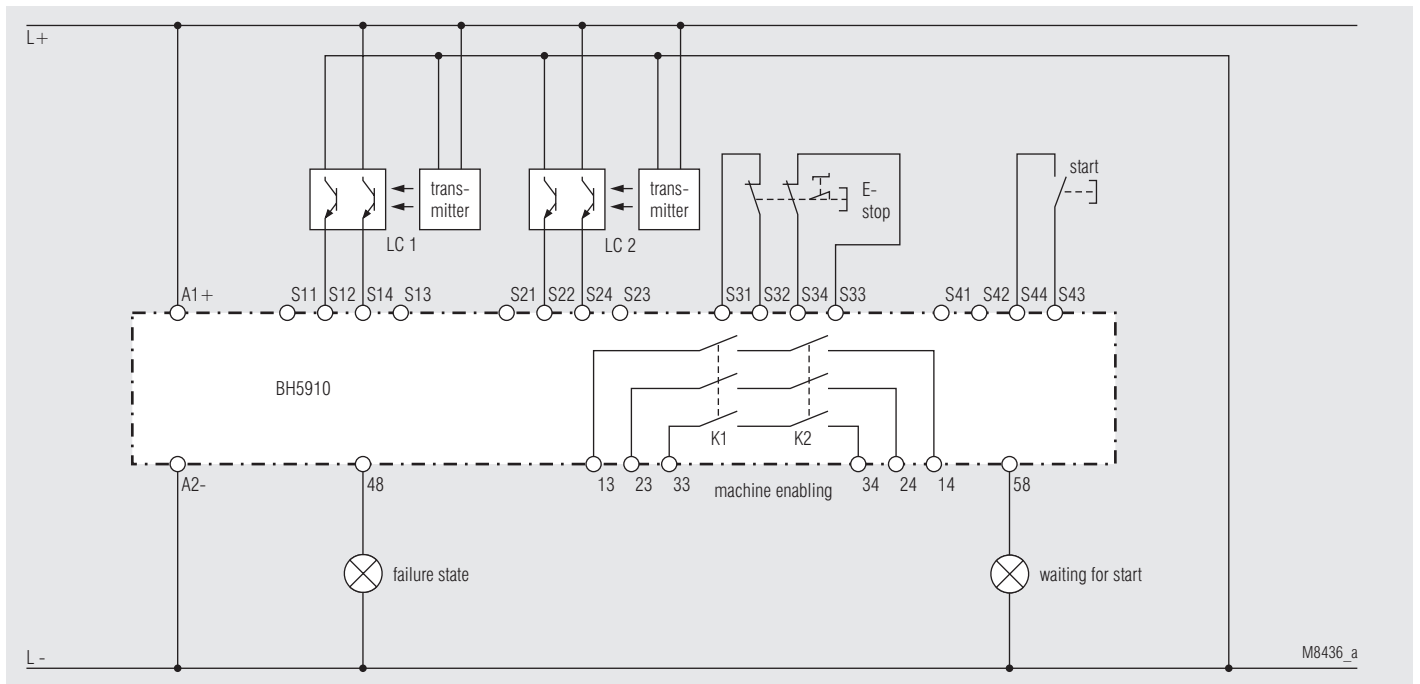
Output	Flashing signal	Continuous signal
48	One LC interrupted or E-stop button pressed or failure in feedback circuit or failure in start circuit	
58	Wait for start button	Relay K1, K2 active

Light Curtains and E-Stop



Light curtains and E-stop, auto start

Light curtains and E-stop, manual start



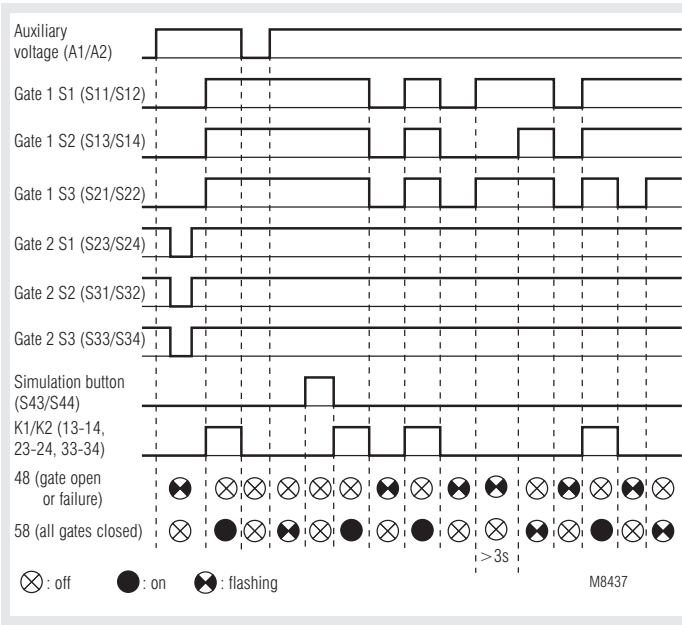
Pic. 7: Light curtains and E-stop, auto start or manual start (switch 1 in position 2, switch 10 in position 0 or 1)

Safety Gates (switch 1 in position 3)

With switch 10 the maximum number of gates is selected. Open (unused) inputs (S_1/S_2 and S_3/S_4) have to be linked with a wire bridge. If gate inputs are not used the type of control has to be with simulation button. K1 and K2 can only be activated, if all connected gates have been opened and closed again. Both gate contacts have to be operated within 3 s. If the time difference is longer, the gate has to be opened before it can be closed again. When all gates are closed the unit can also be activated by an external connected Simulation button.

If changeover contacts are used on the gate switches the switchover time has to be less than 50 ms. If it is longer the outputs K1 and K2 are switched off and the unit gives failure code 7. This failure is stored and can only be reset by disconnecting the auxiliary supply.

Function Diagram



Gate monitor, 2 gates with 3 NO contacts for each gate, Simulation button

Semiconductor outputs

Output	Flashing signal	Continuous signal
48	Open gate or failure in feedback circuit or in start circuit	
58	Gates are closed but starting conditions not fulfilled	Gates are closed and contacts K1, K2 are active

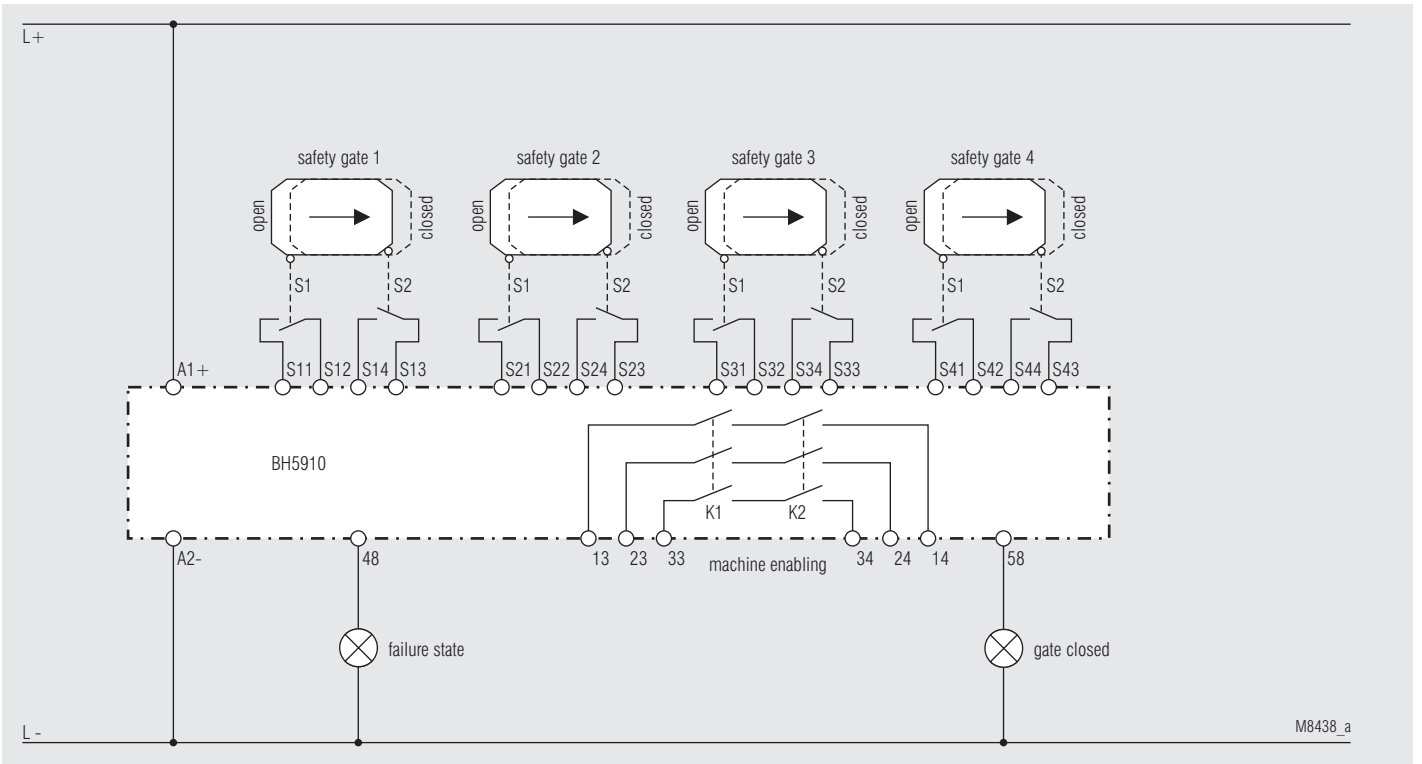
Settings on switch 10

Switch 10	Number of gates	Number and type of gate switches	Simulation button	Feedback circuit for external contactors
0	4	2 NO contacts	no	no
1	3	2 NO contacts	yes	no
2	2	2 C/O contacts	no	no
3	1	2 C/O contacts	yes	no
4	2	3 NO contacts	yes	no
5	1	2 C/O contacts + 1 NO contact	yes	no
6	3	2 NO contacts	yes	yes
7	1	2 C/O contacts	yes	yes
8	2	3 NO contacts	yes	yes
9	1	2 C/O contacts + 1 NO contact	yes	yes

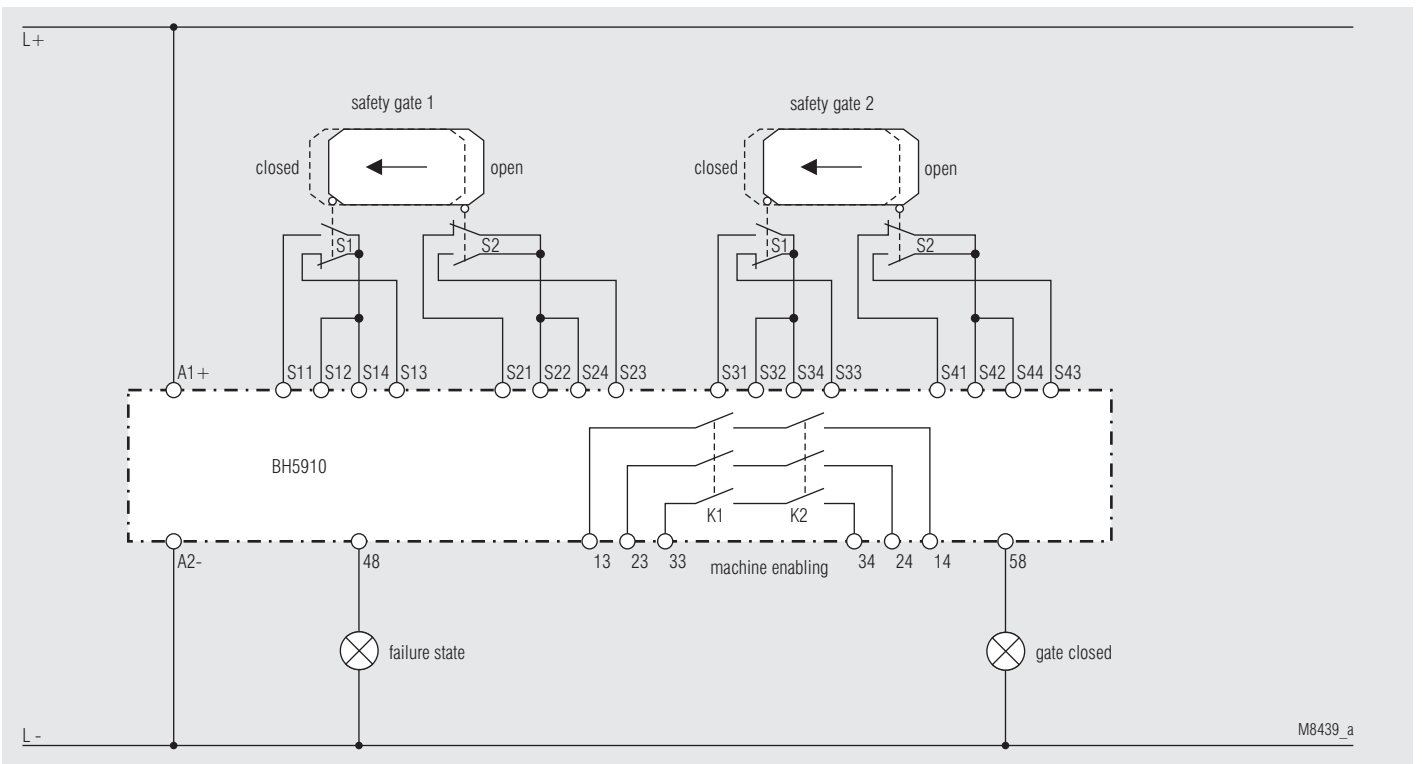
NO contacts must be closed when gate is closed, NC contacts must be open when gate is closed.

Terminal designation

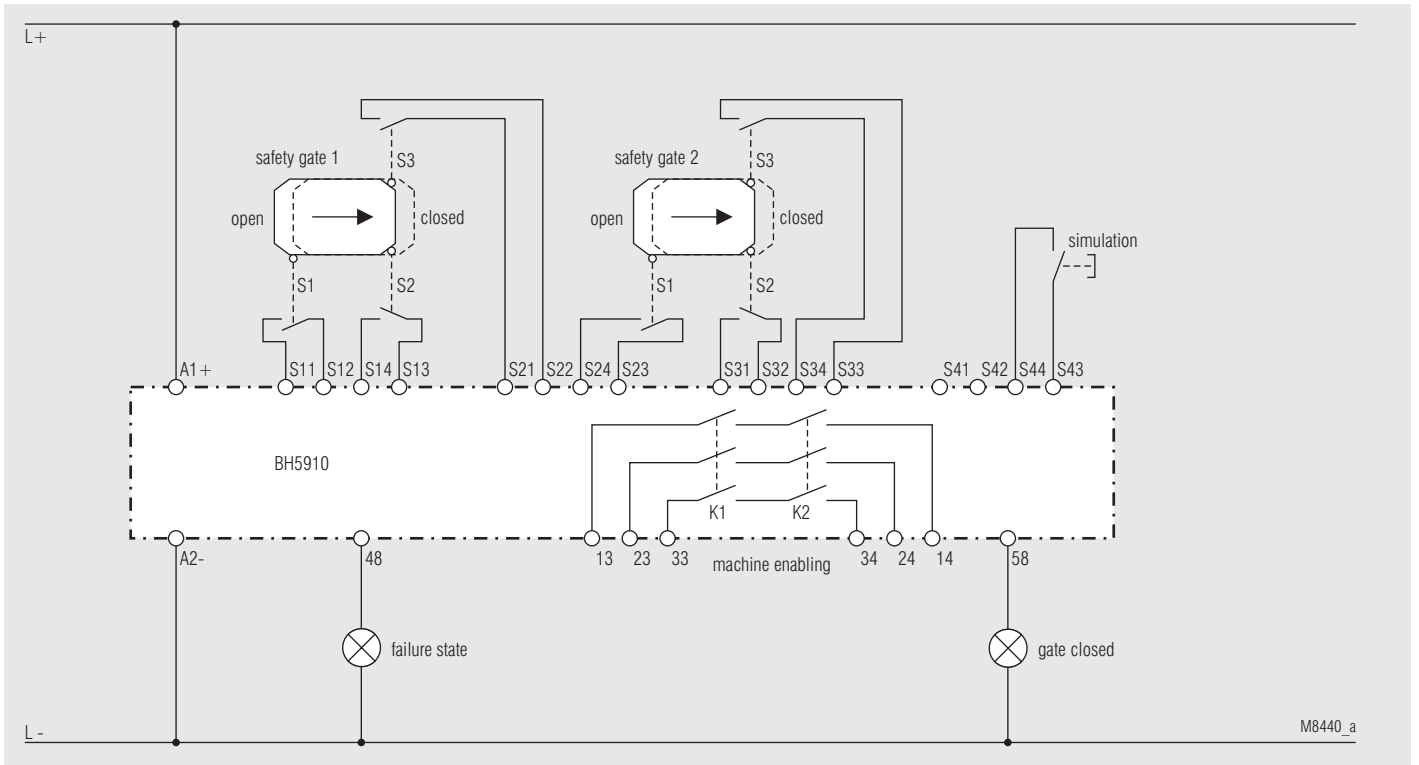
Terminal	Max. 2 gates with 3 NO gate contacts	1 gate with 2 C/O + 1 NO gate contact	Max. 4 gates with 2 NO gate contacts	Max. 2 gates with 2 C/O gate contacts	Feedback circuit for external contacts simulation
S11	gate 1, S1	gate 1, S1 NO contact	gate 1, S1	gate 1, S1 NO contact	
S12		gate 1, S1 common connector		gate 1, S1 common connector	
S14	gate 1, S2	gate 1, S1 common connector	gate 1, S2	gate 1, S1 common connector	
S13		gate 1, S1 NC contact		gate 1, S1 NC contact	
S21	gate 1, S3	gate 1, S2 NC contact	gate 2, S1	gate 1, S2 common connector	
S22		gate 1, S2 common connector		gate 1, S2 common connector	
S24	gate 2, S1	gate 1, S2 common connector	gate 2, S2	gate 1, S2 common connector	
S23		gate 1, S2 NO contact		gate 1, S2 NO contact	
S31	gate 2, S2	gate 1, S3	gate 3, S1	gate 2, S1 NO contact	
S32				gate 2, S1 common connector	
S34	gate 2, S3	not connected	gate 3, S2	gate 2, S1 common connector	
S33				gate 2, S1 NC contact	
S41	not connected	not connected	gate 4, S1	gate 2, S2 NC contact	Feedback circuit
S42				gate 2, S2 common connector	
S44			gate 4, S2	gate 2, S2 common connector	Simulation button
S43				gate 2, S2 contact NO	



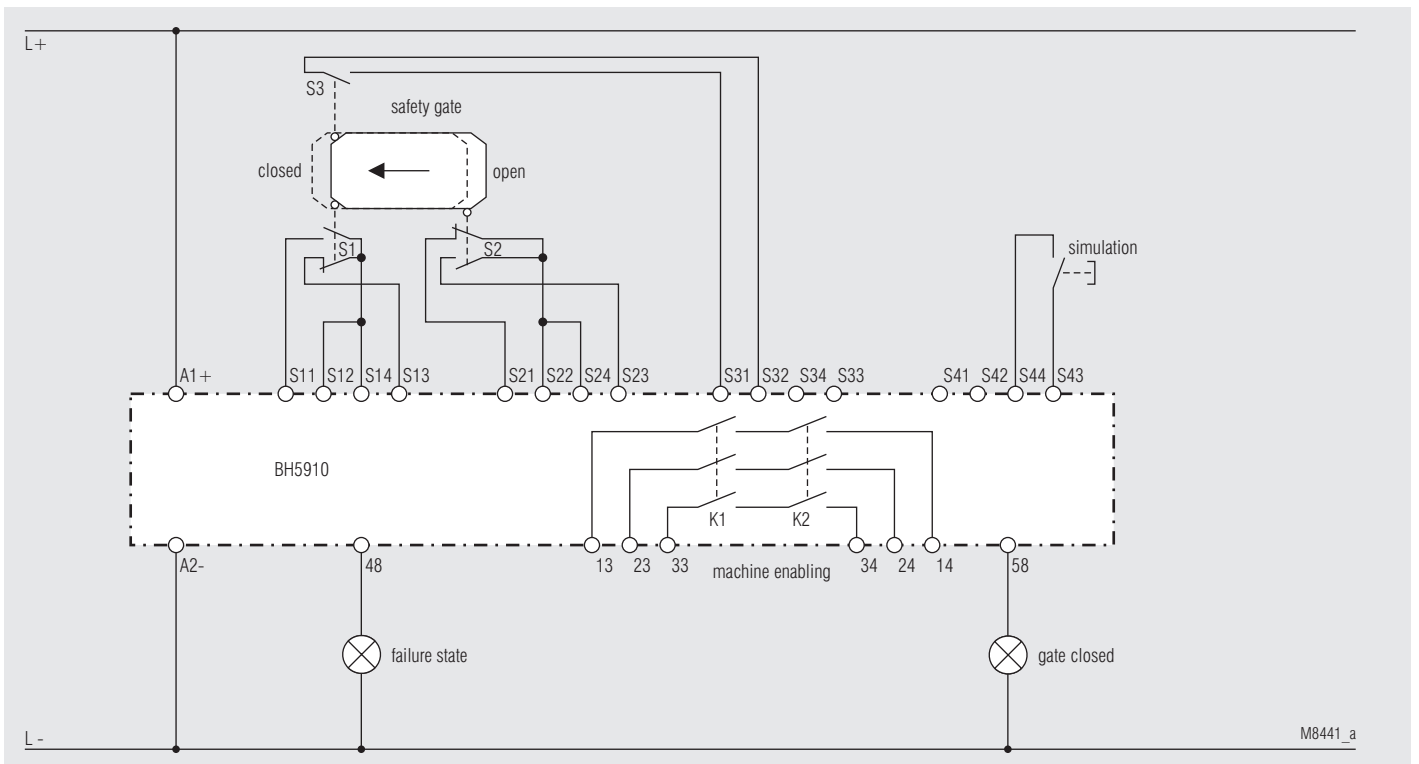
Pic. 8: Gate monitor, 4 gates with 2 NO gate contacts each (switch 1 in position 3; switch 10 in position 0)



Pic. 9: Gate monitor, 2 gates with 2 changeover gate contacts each (switch 1 in position 3; switch 10 in position 2)



Pic. 10: Gate monitor, 2 gates with 3 NO gate contacts each, simulation button (switch 1 in position 3; switch 10 in position 4)



Pic. 11: Gate monitor, 1 gate with 2 changeover gate contacts, simulation button (switch 1 in position 3; switch 10 in position 5)

Safety Gates and E-Stop (switch 1 in position 4)

With switch 10 the maximum number of gates is selected. Open (unused) inputs (S_1/S_2 and S_3/S_4) have to be linked with a wire bridge.

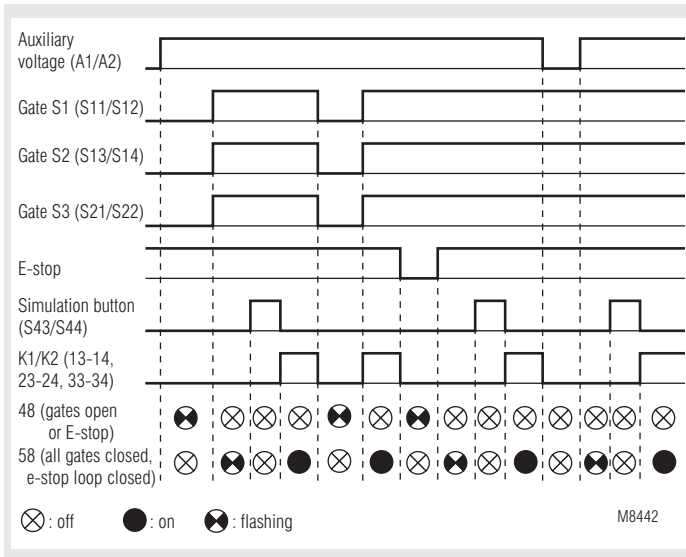
K1 and K2 can only be activated, if the e-stop loop is closed and all connected gates have been opened and closed again.

Both gate contacts have to be operated within 3 s. If the time difference is longer, the gate has to be opened before it can be closed again. When all gates are closed the unit can also be activated by an external connected simulation button.

After e-stop or power failure the unit can only be reset by manual start.

If changeover contacts are used on the gate switches the switchover time has to be less than 50 ms. If it is longer the outputs K1 and K2 are switched off and the unit gives failure code 7. This failure is stored and can only be reset by disconnecting the auxiliary supply.

Function Diagram



Gate monitor and E-stop,
1 gate with 3 NO gate contacts and e-stop loop

Settings on switch 10

Switch 10	No. of gates	Number and type of gate switches	Simulation button	Feedback circuit for external contactors
0	2	2 NO contacts	yes	no
1	1	2 C/O contacts	yes	no
2	1	3 NO contacts	yes	no
3	2	2 NO contacts	yes	yes
4	1	2 C/O contacts	yes	yes
5	1	3 NO contacts	yes	yes
6-9	position not allowed (failure 5)			

NO contacts must be closed when gate is closed, NC contacts must be open when gate is closed.

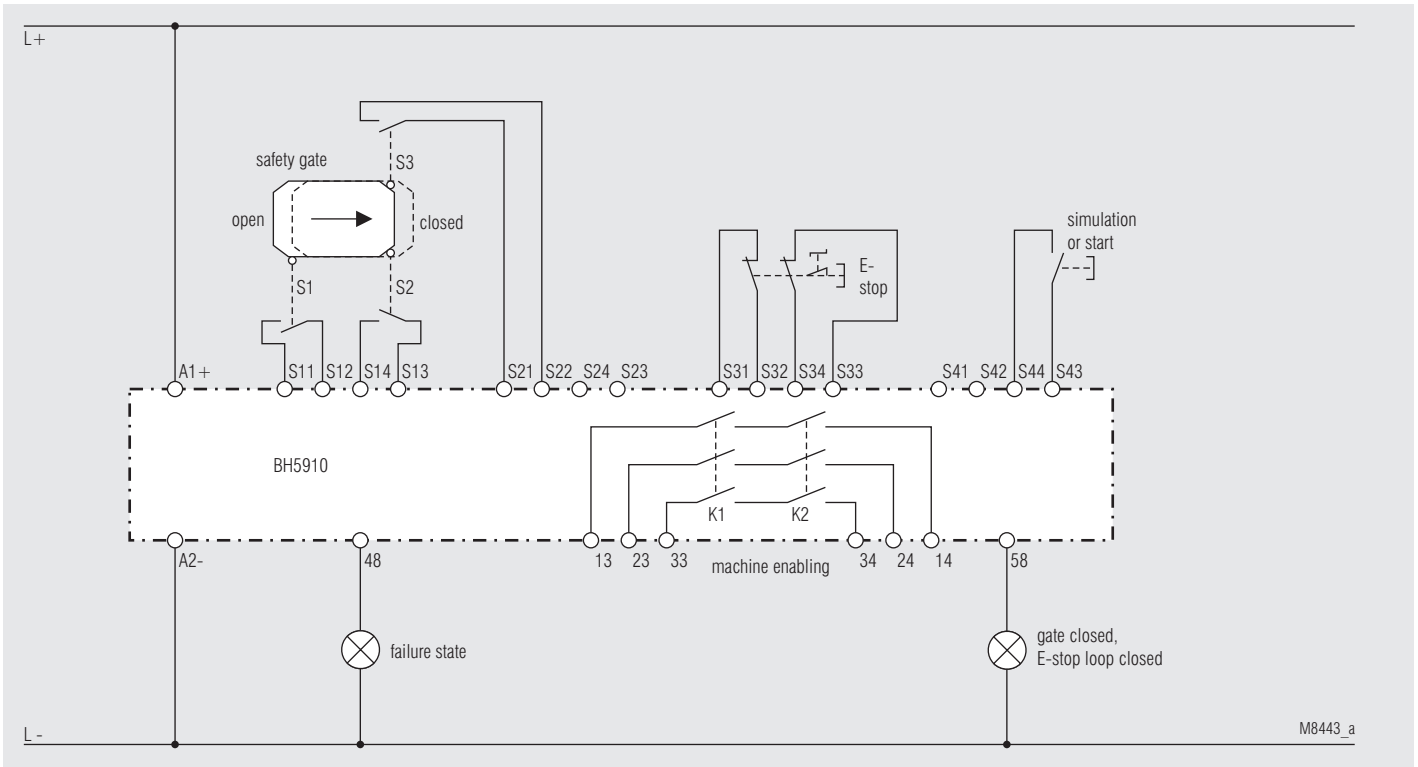
Terminal designation

Terminal	1 gate with 3 NO gate contacts	2 gate with 2 NO gate contacts	1 gate with 2 C/O gate contacts	Feedback circuit for external contactors
S11	gate 1, S1		gate 1, S1 NO contact	
S12		gate 1, S1	gate 1, S1 common connector	
S14			gate 1, S1 common connector	
S13	gate 1, S2	gate 1, S2	gate 1, S1 NC contact	
S21			gate 1, S2 NC contact	
S22	gate 1, S3	gate 2, S1	gate 1, S2 common connector	
S24			gate 1, S2 common connector	
S23	not connected	gate 2, S2	gate 1, S2 NO contact	
	1 E-stop button, 1 Simulation or start button			
S31	E-stop, channel 1			
S32				
S34	E-stop, channel 2			
S33				
S41				Feedback circuit
S42				
S44	Simulation or start button			
S43				

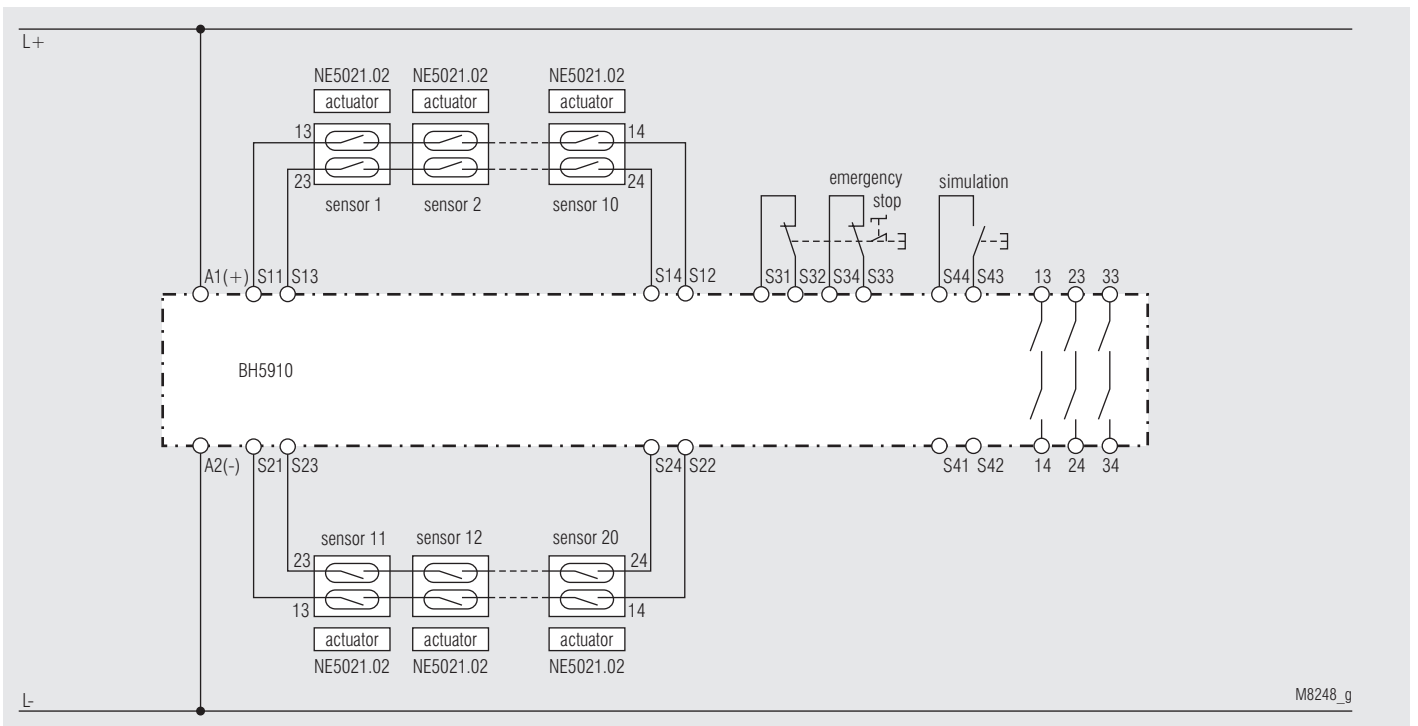
Semiconductor outputs

Output	Flashing signal	Continuous signal
48	Open gate, e-stop loop open or failure in feedback circuit or failure on simulation button	
58	Gates are closed but starting conditions not fulfilled or E-stop loop has been opened and closed again. K1, K2 can be activated with the simulation button	Gates are closed and contacts K1, K2 are active

Safety Gates and E-Stop (switch 1 in position 4); Application Example



Pic. 12: Gate monitor and E-stop, 1 gate with 3 NO gate contacts and 1 e-stop loop (switch 1 position 4; switch 10 position 2)



Pic. 13: Gate monitor and E-stop, safety gate monitoring with up to 20 magnetic coded safety switches NE 5021 + 1 e-stop loop (switch 1 position 4; switch 10 position 0 or 3)

Two-Hand Control (switch 1 in position 5)

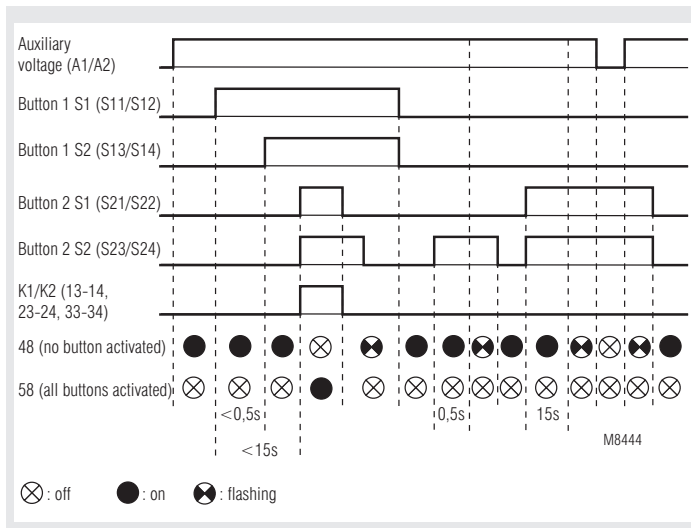
4 pairs of 2-hand buttons Typ III A or 2 pairs of 2-hand buttons Typ III C according to DIN EN 574 can be connected in this function. The number of connected button pairs has to be selected on the device.

K1 and K2 can only be activated, if 3 conditions are fulfilled:

- First all button pairs have to be in initial position.
- Both buttons of 1 pair have to be pressed within 0.5 sec.
- All connected pairs have to be operated within 15 s.

If changeover contacts are used in the 2-hand buttons the switchover time has to be less than 50 ms. If it is longer the outputs K1 and K2 are switched off and the unit gives failure code 7. This failure is stored and can only be reset by disconnecting the auxiliary supply.

Function Diagram



Two-hand control, 2 pairs of buttons with 2 NO contacts each

Set-Up Instructions

The device has to be connected as shown in the application examples. When connecting the push-buttons in parallel or in series the safe function of the relay is disabled. The buttons must be designed and installed in a way, that it is not possible to manipulate or to operate them without intention.

The distance between push buttons and dangerous area must be chosen in a way that it is not possible to reach the dangerous area after release of one button before the dangerous movement comes to standstill.

The safety distance "S" is calculated with the following formula:
 $S = V \times T + C$

- moving speed of person $V = 1\ 600\ \text{mm/s}$
- stopping time of the machine T (s)
- Additional safety distance $C = 250\ \text{mm}$

If the risk of accessing the dangerous area is prohibited while the push buttons are pressed e.g. by covering the buttons, C can be 0. The minimum distance has to be in this case 100 mm. See also EN 574.

Settings on switch 10

Switch 10	Number of button pairs	Type of button contacts	Feedback circuit for external contactors
0	1	2 NO contacts	no
1	2	2 NO contacts	no
2	3	2 NO contacts	no
3	4	2 NO contacts	no
4	1	2 C/O contacts	no
5	2	2 C/O contacts	no
6	1	2 NO contacts	yes
7	2	2 NO contacts	yes
8	3	2 NO contacts	yes
9	1	2 C/O contacts	yes

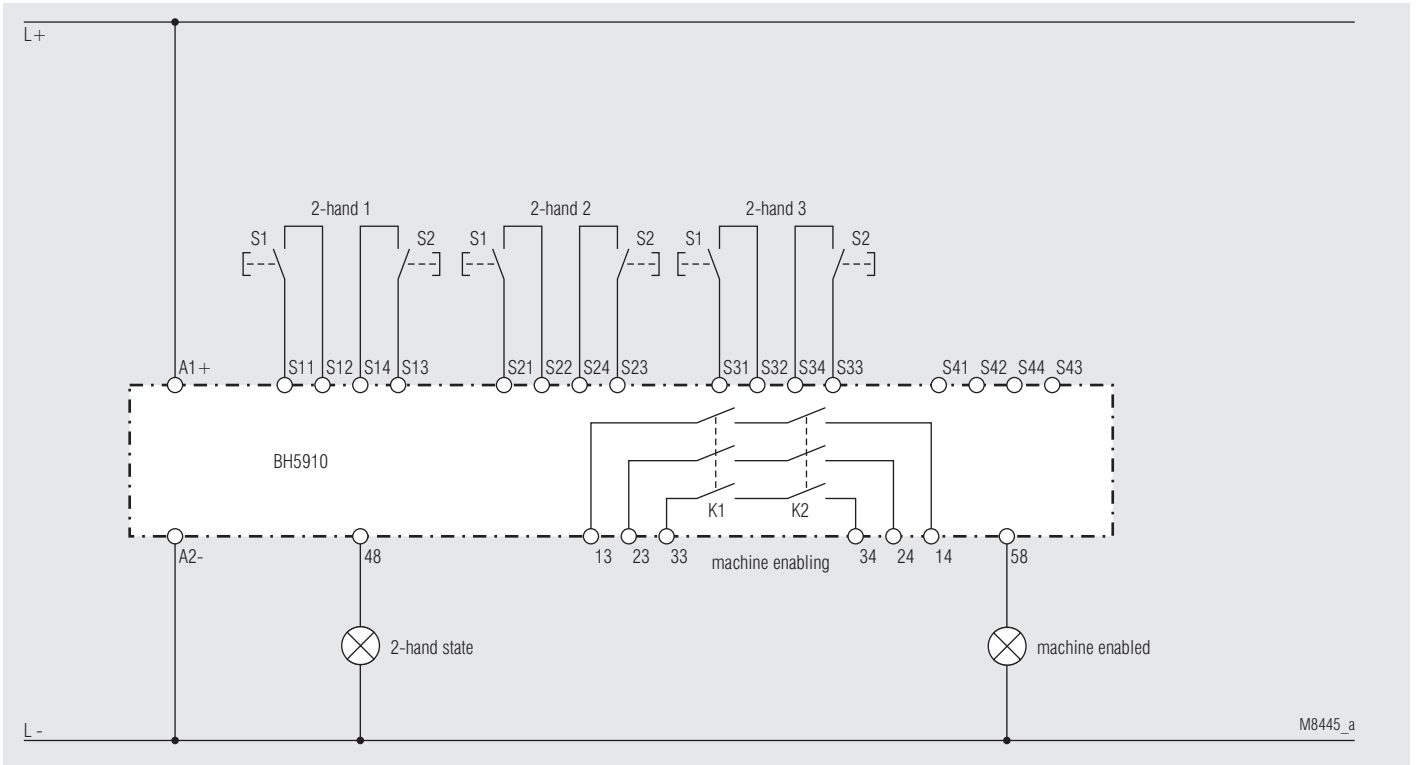
Terminal designation

Ter- minal	Pair of buttons with 2 NO contacts each	Pair of buttons with 2 C/O contacts each	Feedback circuit for external contactors
S11	Pair 1, button S1	Pair 1, button S1, NO contact	
S12		Pair 1, button S1, common connector	
S14	Pair 1, button S2	Pair 1, button S1, common connector	
S13		Pair 1, button S1, contact NF	
S21	Pair 2, button S1	Pair 1, button S2, NC contact	
S22		Pair 1, button S2, common connector	
S24	Pair 2, button S2	Pair 1, button S2, common connector	
S23		Pair 1, button S2, NO contact	
S31	Pair 3, button S1	Pair 2, button S1, NO contact	
S32		Pair 2, button S1, common connector	
S34	Pair 3, button S2	Pair 2, button S1, common connector	
S33		Pair 2, button S1, NC contact	
S41	Pair 4, button S1	Pair 2, button S2, NC contact	Feedback circuit
S42		Pair 2, button S2, common connector	
S44	Pair 4, button S2	Pair 2, button S2, common connector	Acknowledge button
S43		Pair 2, button S2, NO contact	

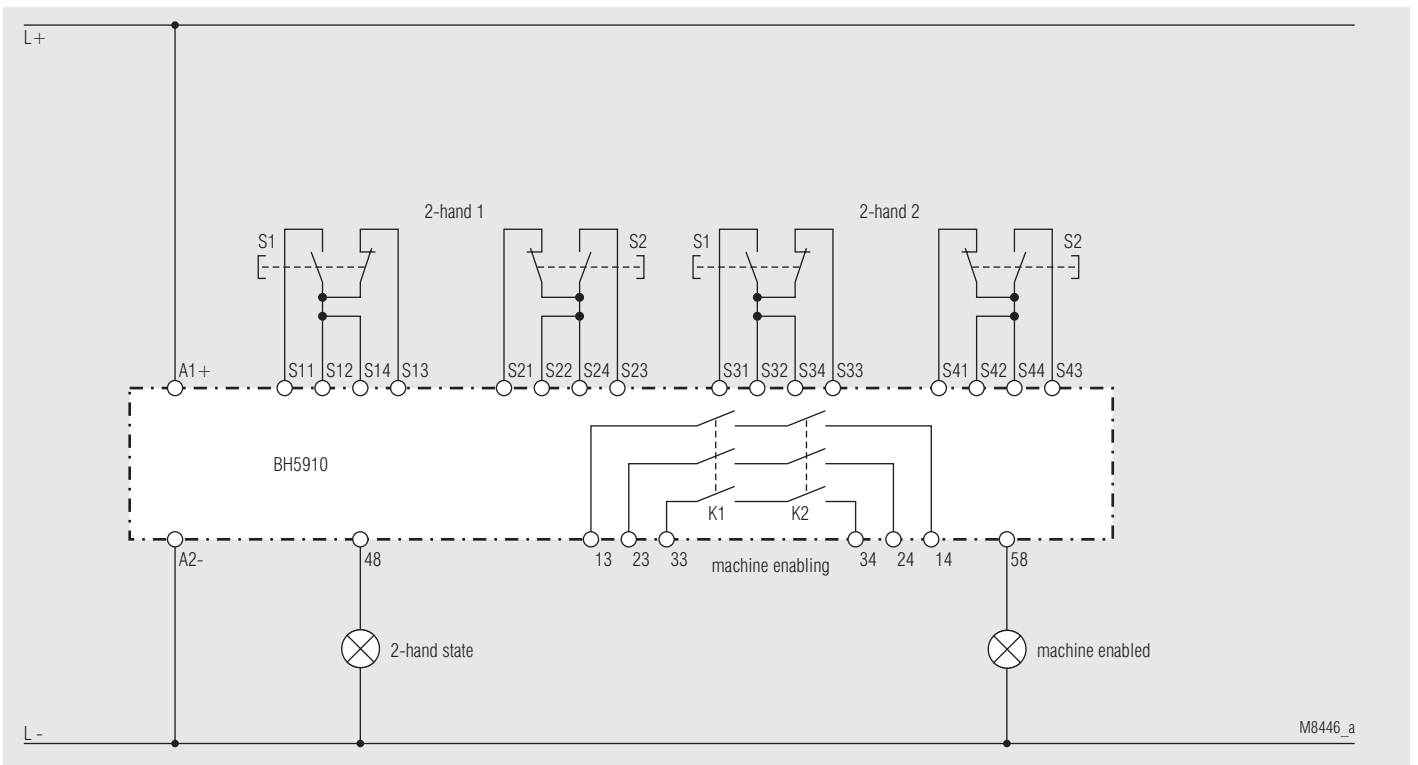
Semiconductor outputs

Output	Flashing signal	Continuous signal
48	Open gate, e-stop loop open or failure in feedback circuit or failure on simulation button	All buttons in initial position. For a new start all buttons have to be activated according to the starting conditions.
58	Press acknowledge button.	All buttons are activated, K1, K2 are energized.

Two-Hand Control (switch 1 in position 5); Application Examples



Pic.14: 2-hand control, with 3 pairs of buttons and 2 NO contacts each (switch 1 in position 5; switch 10 in position 2)
 Safety switches Typ III A according to DIN EN 574



Pic.15: 2-hand control, with 2 pairs of buttons and 2 changeover contacts each (switch 1 in position 5; switch 10 in position 5)
 Safety switches Typ III C according to DIN EN 574

Two-Hand Control and E-Stop (switch 1 in position 6)

2 pairs of 2-hand buttons can be connected in this function together with 1 e-stop loop. The number of connected button pairs has to be selected on the device.

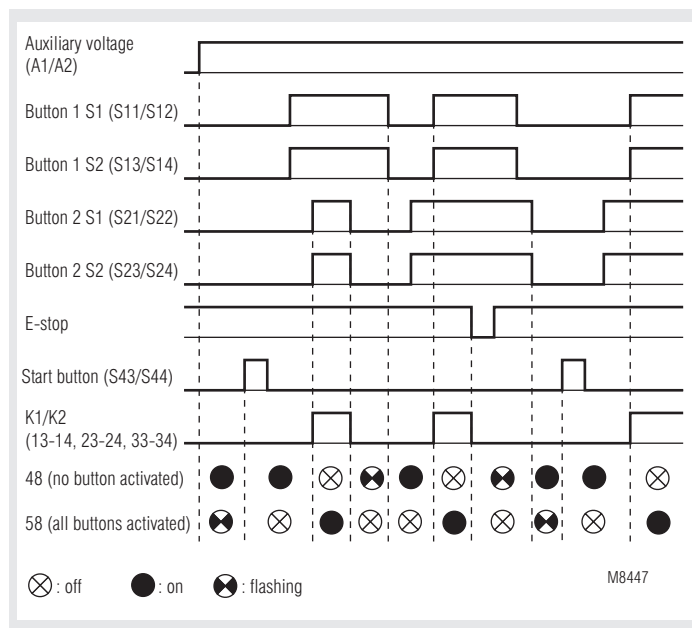
K1 and K2 can only be activated, if 4 conditions are fulfilled:

- First all button pairs have to be in initial position.
- The e-stop contacts must be closed and manual start must be activated.
- Both buttons of 1 pair have to be pressed within 0.5 sec.
- All connected pairs have to be operated within 15 sec.

If changeover contacts are used in the 2-hand buttons the switchover time has to be less than 50 ms. If it is longer the outputs K1 and K2 are switched off and the unit gives failure code 7. This failure is stored and can only be reset by disconnecting the auxiliary supply.

After e-stop or power failure the start button must always be activated. The e-stop loop must be closed and all 2-hand button pairs must be in initial position.

Function Diagram



2-hand control and e-stop,
with 2 pairs of buttons with 2 NO contacts each and 1 e-stop loop

Set-Up Instructions

The device has to be connected as shown in the application examples. When connecting the push-buttons in parallel or in series the safe function of the relay is disabled. The buttons must be designed and installed in a way, that it is not possible to manipulate or to operate them without intention.

The distance between push buttons and dangerous area must be chosen in a way that it is not possible to reach the dangerous area after release of one button before the dangerous movement comes to standstill.

The safety distance "S" is calculated with the following formula:

$$S = V \times T + C$$

- moving speed of person $V = 1\,600\text{ mm/s}$
- stopping time of the machine $T\text{ (s)}$
- Additional safety distance $C = 250\text{ mm}$

If the risk of accessing the dangerous area is prohibited while the push buttons are pressed e.g. by covering the buttons, C can be 0. The minimum distance has to be in this case 100 mm. See also EN 574.

Settings on switch 10

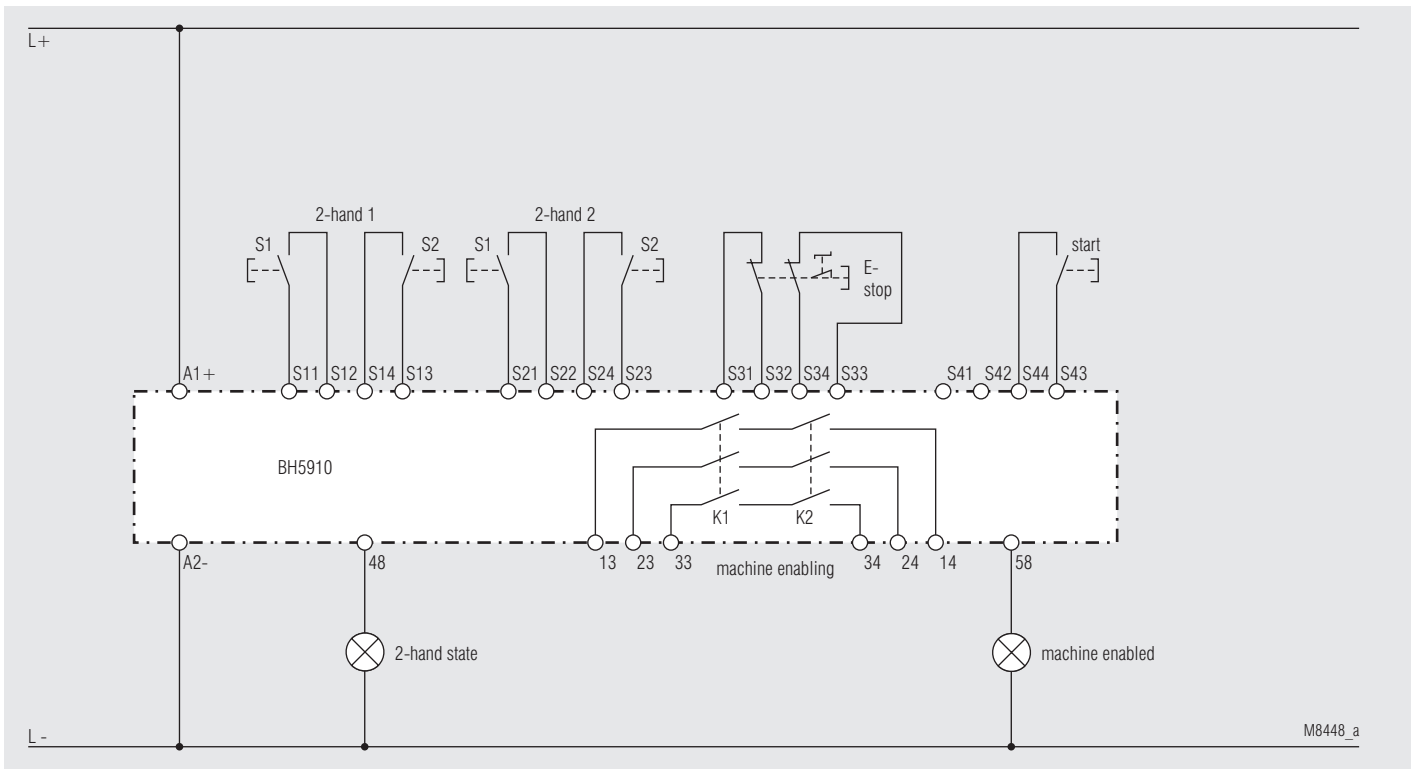
Switch 10	Number of button pairs	Type of button contacts	Feedback circuit for external contactors
0	1	2 NO contacts	no
1	2	2 NO contacts	no
2	1	2 C/O contacts	no
3	1	2 NO contacts	yes
4	2	2 NO contacts	yes
5	1	2 C/O contacts	yes
6-9	position not allowed (failure 5)		

Terminal designation

Terminal	Pair of buttons with 2 NO contacts each	Pair of buttons with 2 C/O contacts each	Feedback circuit for external contactors
S11	Pair 1, button S1	button S1, NO contact	
S12		button S1, common connector	
S14	Pair 1, button S2	button S1, common connector	
S13		button S1, NC contact	
S21	Pair 2, button S1	button S2, NC contact	
S22		button S2, common connector	
S24	Pair 2, button S2	button S2, common connector	
S23		button S2, NO contact	
1 E-stop loop and 1 Start button			
S31	E-stop, channel 1		
S32			
S34	E-stop, channel 2		
S33			
S41	not connected		Feedback circuit
S42			
S44	Start button		
S43			

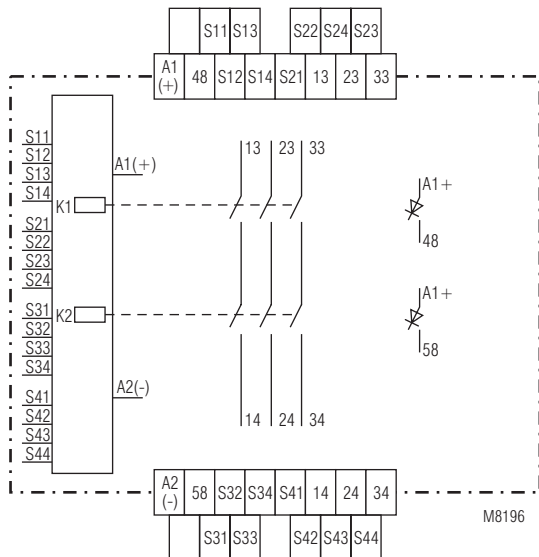
Semiconductor outputs

Output	Flashing signal	Continuous signal
48	E-stop loop open or starting conditions not fulfilled or failure in feedback circuit or on acknowledge button/start button.	All buttons in initial position. For a new start all buttons have to be linked according to the starting conditions.
58	Press acknowledge button.	All buttons are activated, K1, K2 are energized.

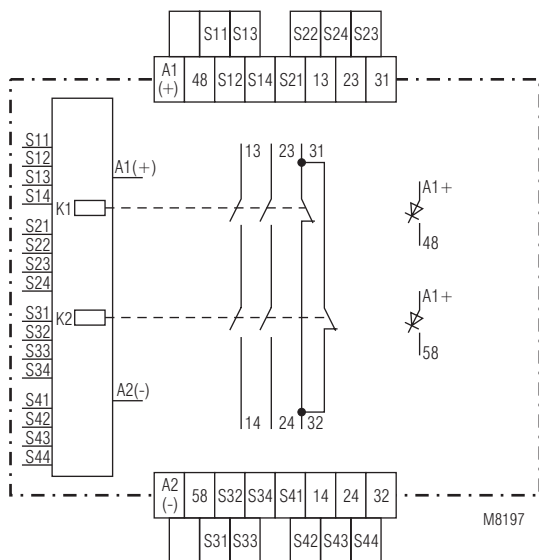


Pic. 16: 2-hand control and e-stop, with 2 pairs of buttons and 2 NO contacts each (switch 1 in position 6; switch 10 in position 1)
2-hand-safety switches Type III A according to DIN EN 574

Circuit Diagrams



BH 5910.03



BH 5910.22

Connection Terminals

Terminal designation	Signal designation
A1+	+ / L
A2	- / N
S12, S14, S22, S24, S32, S34, S42, S44	Inputs
S11, S13, S21, S23, S31, S33, S41, S43	Outputs
13, 14, 23, 24, 33, 34	Forcibly guided NO contacts for release circuit
31, 32	Forcibly guided NC contacts for monitoring
48, 58	Semiconductor monitoring output

Technical Data

Input

Nominal voltage U_N : DC 24 V
Voltage range
 at max. 5 % residual ripple: 0,85 ... 1,15 U_N
Nominal consumption: max. 170 mA
 (Semiconductor outputs not connected)

Control voltage on S11, S13, S21, S23, S31, S33, S41, S43, 48, 58:

DC 23 V at U_N

Control current on S12, S14, S22, S24, S32, S34, S42, S44:

4,5 mA at U_N each

Min. voltage at terminals S12, S14, S22, S24, S32, S34, S42, S44:

DC 16 V

Fusing:

internal with PTC

Output

Contacts

BH 5910.03:

3 NO contacts

BH 5910.22:

2 NO contacts, 1 NC contact

The NC contact can only be used as indicator contact.

Contact type:

Relay, forcibly guided

Operating time typ. at U_N

Function	Manual start	Auto start	
		Start	Restart
E-stop	45 ms	1,6 s	45 ms
Light curtains	45 ms	1,6 s	45 ms
Safety gates	45 ms (Simulation)		90 ms (TS)*
2-hand control	54 ms (Activation)		

*TS = closing of gate

max. switch off time (reaction time)

Function	
E-stop	28 ms
Light curtains	28 ms
Safety gates	28 ms
2-hand control	28 ms

Switching off when failure

in feedback circuit:

max. 100 ms

Nominal output voltage:

AC 250 V

DC: see limit curve for arc-free operation

Switching of low loads:

≥ 100 mV

Thermal current I_{th} :

5 A

Switching capacity

to AC 15

NO contact:

3 A / AC 230 V

IEC/EN 60 947-5-1

NC contact:

2 A / AC 230 V

IEC/EN 60 947-5-1

to DC 13 at 0,1 Hz:

8 A / DC 24 V

IEC/EN 60 947-5-1

Electrical life

to AC 15 at 2 A, AC 230 V:

10^5 switching cycles IEC/EN 60 947-5-1

Permissible switching frequency:

max. 1 200 switching cycles / h

Short circuit strength

max. fuse rating:

6 A gL

IEC/EN 60 947-5-1

line circuit breaker:

C 8 A

Mechanical life:

10×10^6 switching cycles

Semiconductor Outputs

Output (terminal 48 and 58):

transistor outputs, switching +

Nominal output voltage:

DC 24 V, max. 100 mA continuous current, max. 400 mA for 0,5 s internal short circuit, over temperature and overload protection

Technical Data**General Data**

Operating mode:	Continuous operation	
Temperature range		
operation:	± 0 ... + 50 °C	
storage :	- 25 ... + 85 °C	
altitude:	< 2.000 m	
Clearance and creepage distances		
rated impuls voltage / pollution degree:	4 kV / 2 (basis insulation) IEC 60 664-1	
EMC		
Electrostatic discharge:	8 kV (air)	IEC/EN 61 000-4-2 (according to test degree 3)
HF-irradiation:	10 V / m	IEC/EN 61 000-4-3
Fast transients on wires for power supply A1-A2:	2 kV	IEC/EN 61 000-4-4
on signal and control wires:	2 kV	IEC/EN 61 000-4-4

Surge voltages		
between wires for power supply:	1 kV	IEC/EN 61 000-4-5
between wireand ground:	2 kV	IEC/EN 61 000-4-5
HF-wire guided:	10 V	
Interference suppression:	Limit value class B	EN 55 011
Degree of protection:	according to IEC/EN 61 496-1 (1997) the unit has to be mounted in a control cabinet with protection class 54	

Housing:	IP 40	IEC/EN 60 529
Terminals:	IP 20	IEC/EN 60 529
Housing:	Thermoplastic with V0 behaviour according to UL subject 94	
Vibration resistance:	according to IEC/EN 61 496-1 (1997) Amplitude 0,35 mm IEC/EN 60 068-2-6 frequency 10 ... 55 Hz	

Shock proof:		
Acceleration:	10 g	
Impulse length:	16 ms	
Number of shocks:	1000 per ax is on all 3 axes	
Climate resistance:	0 / 050 / 04	IEC/EN 60 068-1
Terminal designation:	EN 50 005	
Wire connection:	1 x 2,5 mm ² stranded wire with sleeve or 1 x 4 mm ² solid or 2 x 1,5 mm ² stranded wire with sleeve DIN 46 228-1/-2/-3/-4	

Wire fixing:	Plus-minus terminal screws M3,5 box terminals with wire protection	
Mounting:	DIN rail	IEC/EN 60 715
Weight:	320 g	

Dimensions

Width x height x depth:	45 x 84 x 121 mm
--------------------------------	------------------

Safety Related Data for E-STOP**Values according to EN ISO 13849-1:**

Category:	4	
MTTF _d :	180.9	a
DC _{avg} :	97.9	%
d _{op} :	365	d/a (days/year)
h _{op} :	24	h/d (hours/day)
t _{Zyklus} :	3600	s/Zyklus
	± 1	/h (hour)

Values according to IEC EN 62061 / IEC EN 61508:

SIL CL:	3	IEC EN 62061
SIL	3	IEC EN 61508
HFT ^{*)} :	1	
DC _{avg} :	97.9	%
SFF	99.4	%
PFH _D :	5.57E-10	h ⁻¹

Technical Data**Safety Related Data for light curtains ,safety gates or two-hand****Values according to EN ISO 13849-1:**

Kategorie:	4	
PL:	e	
MTTF _d :	31.5	a
DC _{avg} :	98.9	%
d _{op} :	220	d/a (days/year)
h _{op} :	12	h/d (hours/day)
t _{Zyklus} :	144	s/Zyklus

Values according to IEC/EN 62061 / IEC/EN 61508:

SIL CL:	3	IEC/EN 62061
SIL	3	IEC/EN 61508
HFT ^{*)} :	1	
DC _{avg} :	98.9	%
SFF	99.6	%
PFH _D :	7.80E-9	h ⁻¹

*) HFT = Hardware-Failure Tolerance



The values stated above are valid for the standard type.

Safety data for other variants are available on request.

The safety relevant data of the complete system has to be determined by the manufacturer of the system.

UL-Data**The safety functions were not evaluated by UL. Listing is accomplished according to requirements of Standard UL 508, "general use applications"**

Nominal voltage U_N:	DC 24 V
Ambient temperature:	0 ... +50°C
Switching capacity:	
Ambient temperature 50°C:	Pilot duty B300 5A 250Vac G.P. 5A 24Vdc
Semiconductor outputs:	24Vdc, 100 mA

Wire connection:	60°C / 75°C copper conductors only AWG 20 - 12 Sol Torque 0.8 Nm AWG 20 - 14 Str Torque 0.8 Nm
-------------------------	--

**Technical data that is not stated in the UL-Data, can be found in the technical data section.****CCC-Data**

Thermal current I_{th}:	4 A
Switching capacity	
to AC 15:	3 A / AC 230 V IEC/EN 60 947-5-1
to DC 13:	1 A / DC 24 V IEC/EN 60 947-5-1

**Technical data that is not stated in the CCC-Data, can be found in the technical data section.**

Standard Type

BH 5910.03/00MF2 DC 24 V

Article number:

0054217

- Output: 3 NO contacts
- All functions selectable via rotational switches
- Nominal voltage U_N : DC 24 V
- Width: 45 mm

Ordering example

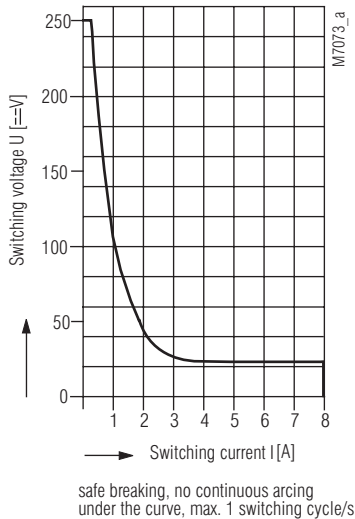
BH 5910 . . . /00MF2 DC 24 V

Nominal voltage
Contacts
.03: 3 NO contacts
.22: 2 NO contacts, 1 NC contact
Type

Variants

BH 5910/61: with UL-approval

Characteristic



Limit curve for arc-free operation

Fault Indication by flashing code

The failure codes are displayed by a flashing sequence of the upper yellow LEDs run 1, run 2. Flashing frequency: env. 0,5 s on, 0,05 s off, end of the sequence: env. 2 s off. It is possible that the two processors show different failure codes.

If a failure is displayed, the relays K1 and K2 are switched off.

These failures are serious and do not allow further operation of the module. They are indicated only by the LEDs run 1 and / or run 2 of the module. The semiconductor outputs 48 and 58 are both switched off. The module can only be reset by switching the power supply off and on again.

N°*)	Description	Mesures et conseils
0	Internal module failure (LEDs are continuously off)	If both LEDs stay off, the module is defective and has to be repaired.
5	Adjustment failure	1) The settings of the 2 channels are not identically. 2) The selected setting is not permitted.
6	Undervoltage detection ou Overvoltage detection	1) Left LED is flashing: The supply voltage dropped below the permitted value (< approx. $0.85 U_N$) 2) Right LED is flashing: The supply voltage went over the permitted value (> approx. $1.15 U_N + 5\%$ residual ripple)
7	Input failure	1) A short circuit has been detected on the inputs of the unit. 2) The 2 signals of a 2-channel sensor (E-stop button, light curtain) are not identical. (Short circuit, broken wire, other defects).
8	Failure on relays K1 or K2	Check circuit and current. Module has to be repaired.
9	Internal module failure	Please try to evaluate the circumstances that lead to this10 fault and check with the supplier or manufacturer.
10		
11	Internal module failure	The module has to be repaired
12		
13		
14		

*) No.: Number of flash pulses in a series